

SPECIAL-LITE, INC.

SERIES 15 ALUMINUM OUTSWING GLASS DOOR LARGE AND SMALL MISSILE IMPACT (LMI & SMI)

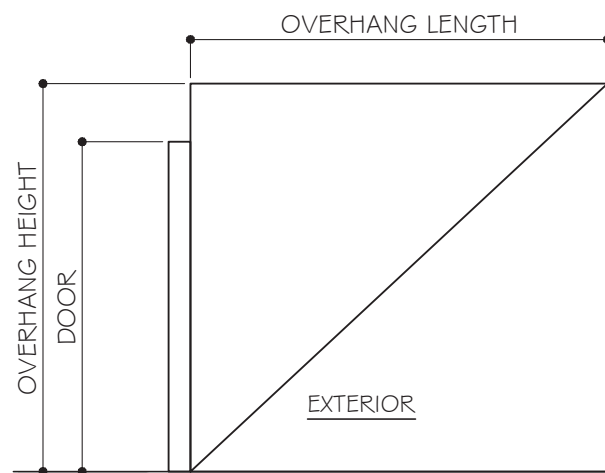
GENERAL NOTES:

- THIS PRODUCT HAS BEEN DESIGNED AND TESTED TO COMPLY WITH THE REQUIREMENTS OF THE FLORIDA BUILDING CODE 7TH EDITION (2020) / 8TH EDITION (2023) INCLUDING HIGH VELOCITY HURRICANE ZONE (HVHZ).
- DOORS RATED FOR LARGE AND SMALL MISSILE IMPACT AND DO NOT REQUIRE SHUTTERS.
- ANCHORS SHALL BE AS LISTED, SPACED AS SHOWN ON DETAILS. ANCHORS EMBEDMENT TO BASE MATERIAL SHALL BE BEYOND WALL DRESSING OR STUCCO.
- ANCHORING OR LOADING CONDITIONS NOT SHOWN IN THESE DETAILS ARE NOT PART OF THIS APPROVAL.
- MATERIALS INCLUDING BUT NOT LIMITED TO STEEL/METAL SCREWS THAT COME INTO CONTACT WITH OTHER DISSIMILAR MATERIALS SHALL MEET THE REQUIREMENTS OF THE FLORIDA BUILDING CODE 7TH EDITION (2020) / 8TH EDITION (2023) SECTION AS APPLICABLE.
- METAL STRUCTURES NOT BY SPECIAL-LITE, INC. MUST SUPPORT LOADS IMPOSED BY DOOR SYSTEM AND TRANSFER THEM TO THE BUILDING STRUCTURE.

- 1X OR 2X WOOD BUCKS BY OTHERS MUST BE ANCHORED PROPERLY TO TRANSFER LOADS TO THE STRUCTURE.
- A LOAD DURATION FACTOR IN ALLOWABLE STRESS IS USED IN DESIGN OF ANCHORS INTO WOOD ONLY.
- DOOR FRAME: ALUMINUM 6063-T6
- ULTIMATE LOAD OBTAINED FROM ASCE 7-22, MULTIPLY BY 0.6 SHALL BE LESS THAN OR EQUAL TO MAX. DESIGN LOAD IN THIS DOCUMENT. THE DESIGN LOADS SHOWN IN THIS DOCUMENT ARE ALLOWABLE DESIGN LOADS.
- MANUFACTURER'S LABEL SHALL BE LOCATED ON A READILY VISIBLE LOCATION IN ACCORDANCE WITH SECTION 1709.9.3 OF FLORIDA BUILDING CODE LABELING TO COMPLY WITH SECTION 1709.9.2.

LOCK:
FOR LOCK OPTIONS, SEE SHEET HW1.

NOTE:
EGRESS REQUIREMENTS TO BE REVIEWED BY BUILDING OFFICIAL.

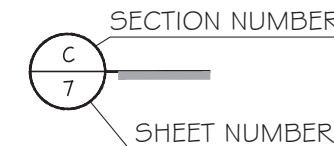


$$OH \text{ RATIO} = \frac{\text{OVERHANG LENGTH}}{\text{OVERHANG HEIGHT}} \geq 1$$

NOTE:
UNITS NOT APPROVED FOR WATER INFILTRATION MUST BE INSTALLED AT LOCATIONS PROTECTED BY AN OVERHANG MEETING CRITERIA AS PER ILLUSTRATION ABOVE OR IN NON-HABITABLE AREAS WHERE WATER INFILTRATION IS ACCEPTABLE.

ABBREVIATIONS AND SYMBOLS

- D.L.O. - DAYLITE OPENING
- F.H. - FRAME HEIGHT
- F.W. - FRAME WIDTH
- W/ - WITH
- W/O - WITHOUT
- O.C. - ON CENTER



LIMITATIONS OF USE

A- THIS PRODUCT EVALUATION DOCUMENT (P.E.D.) PREPARED BY THIS ENGINEER IS GENERIC AND DOES NOT PROVIDE INFORMATION FOR A SITE SPECIFIC PROJECT; i.e. WHERE THE SITE CONDITIONS DEVIATE FROM THE P.E.D.

B- CONTRACTOR TO BE RESPONSIBLE FOR THE SELECTION, PURCHASE AND INSTALLATION OF THIS PRODUCT BASED ON THIS PRODUCT EVALUATION PROVIDED HE/SHE DOES NOT DEVIATE FROM THE CONDITIONS DETAILED ON THIS DOCUMENT.

C- THIS PRODUCT EVALUATION DOCUMENT WILL BE CONSIDERED INVALID IF ALTERED BY ANY MEANS.

D- SITE SPECIFIC PROJECTS SHALL BE PREPARED BY A FLORIDA REGISTERED ENGINEER OR ARCHITECT WHICH WILL BECOME THE ENGINEER OF RECORD (E.O.R.) FOR THE PROJECT AND WHO WILL BE RESPONSIBLE FOR THE PROPER USE OF THE P.E.D.

E- THIS P.E.D. SHALL BEAR THE DATE AND ORIGINAL SEAL AND SIGNATURE OF THE PROFESSIONAL ENGINEER OF RECORD THAT PREPARED IT.

FLORIDA APPROVAL:
FL#21856.1

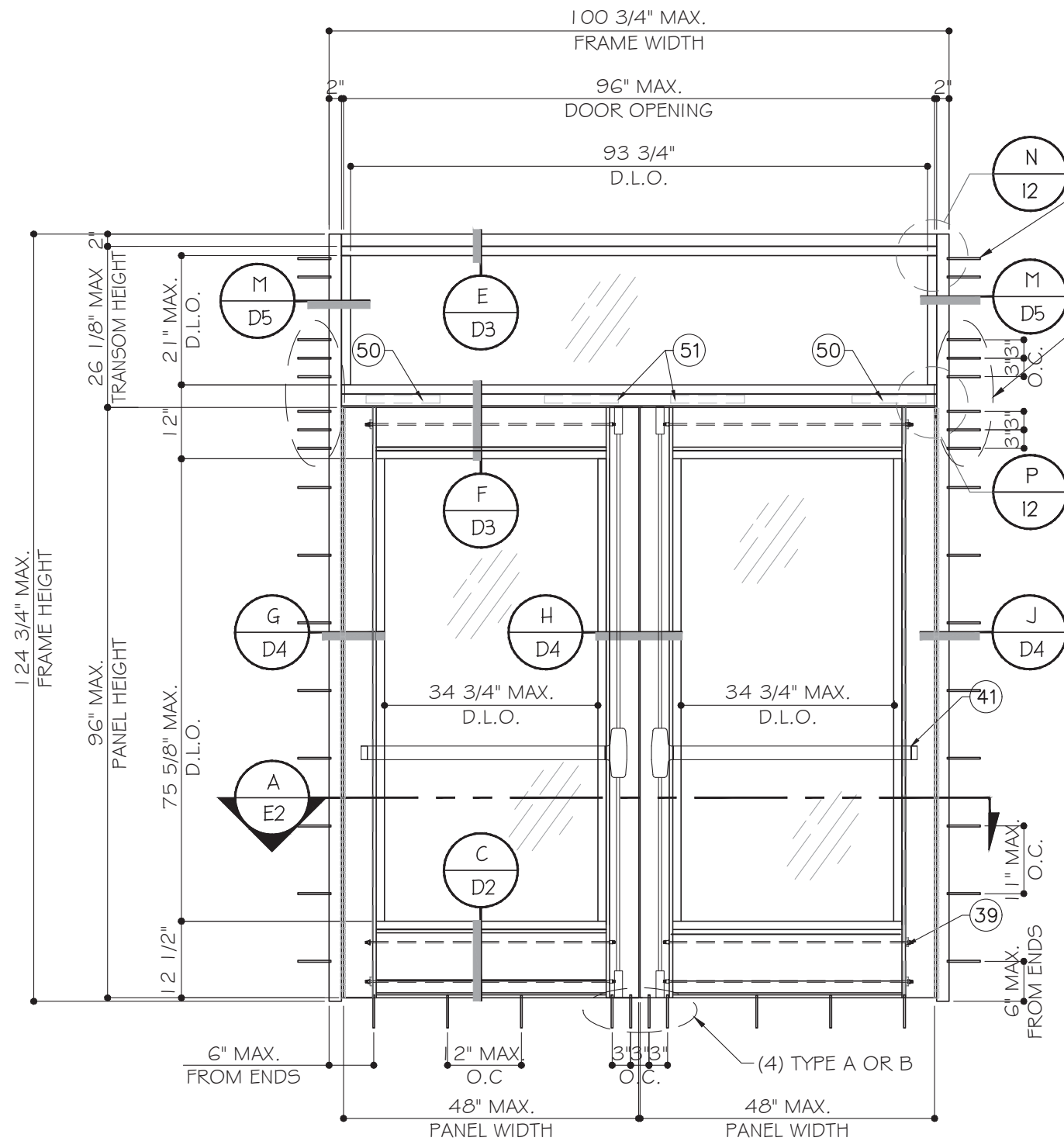
NO.	DATE	DESCRIPTION
R3	08.11.23	2023_FBC

MCY ENGINEERING, INC.
GLAZING CONSULTANTS
12781 MIRAMAR PARKWAY #301
MIRAMAR, FL 33027 P: 305.271.0117
www.MCYEngineering.com mcy@mcyengineering.com

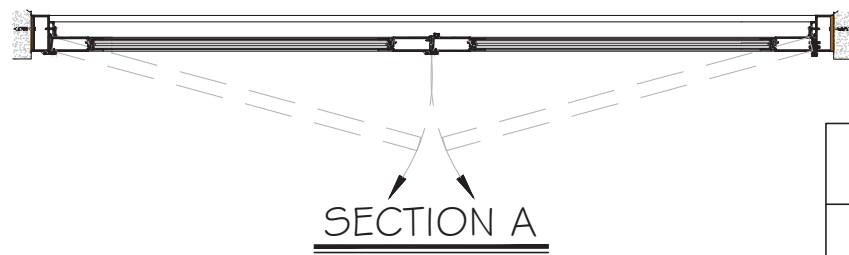
SERIES 15 ALUMINUM OUTSWING GLASS DOORS - LMI & SMI
SPECIAL-LITE, INC.
860 SOUTH WILLIAMS STREET
P.O. BOX 6
DECATUR, MI 49045
WWW.SPECIAL-LITE.COM



COVER	
DATE	08.11.2023
SCALE	AS SHOWN
DRAWN	James
PROJECT	17-004
DRAWING NO. AD17-03	
1 OF 15	



TYPICAL EXTERIOR ELEVATION (O/XX)

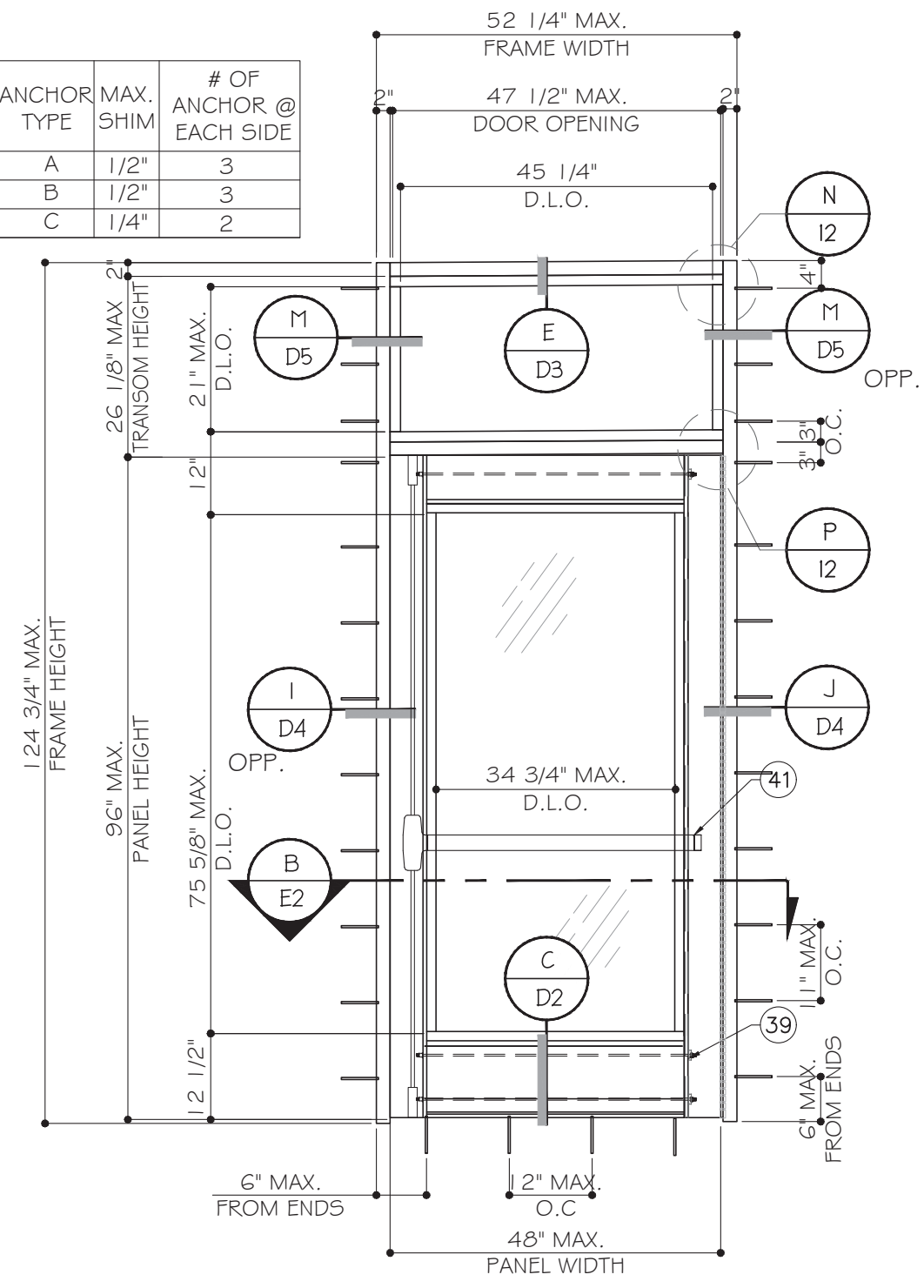


SECTION A

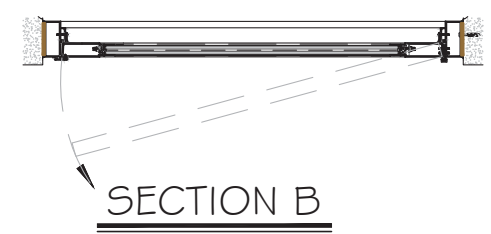
FOR LOCK OPTIONS
REFER TO SHEET HW1

DESIGN LOADS (FOR SIZES SHOWN OR SMALLER) AS PERMITTED BY FBC	DESIGN LOADS (FOR SIZES SHOWN OR SMALLER) AS PERMITTED BY FBC
APPROVED FOR WATER INFILTRATION	NOT APPROVED FOR WATER INFILTRATION
+ 47.0 PSF - 65.0 PSF	+ 65.0 PSF - 65.0 PSF

ANCHOR TYPE	MAX. SHIM	# OF ANCHOR @ EACH SIDE
A	1/2"	3
B	1/2"	3
C	1/4"	2

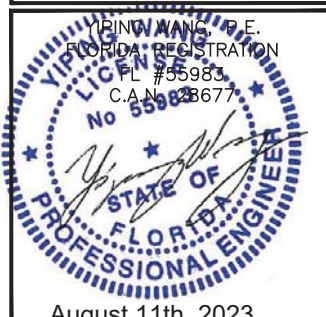


TYPICAL EXTERIOR ELEVATION (O/X)



SECTION B

FLORIDA APPROVAL:
FL#21856.1



August 11th, 2023

NO.	DATE	DESCRIPTION
R3	08.11.23	2023 FBC

MCY ENGINEERING, INC.
GLAZING CONSULTANTS
12781 MIRAMAR PARKWAY #301
MIRAMAR, FL 33027
P: 305.271.0117
www.MCYEngineering.com
mcy@mcyengineering.com

SERIES 15 ALUMINUM OUTSWING GLASS DOORS - LMI & SMI
SPECIAL-LITE, INC.
860 SOUTH WILLIAMS STREET
P.O. BOX 6
DECATUR, MI 49045
WWW.SPECIAL-LITE.COM

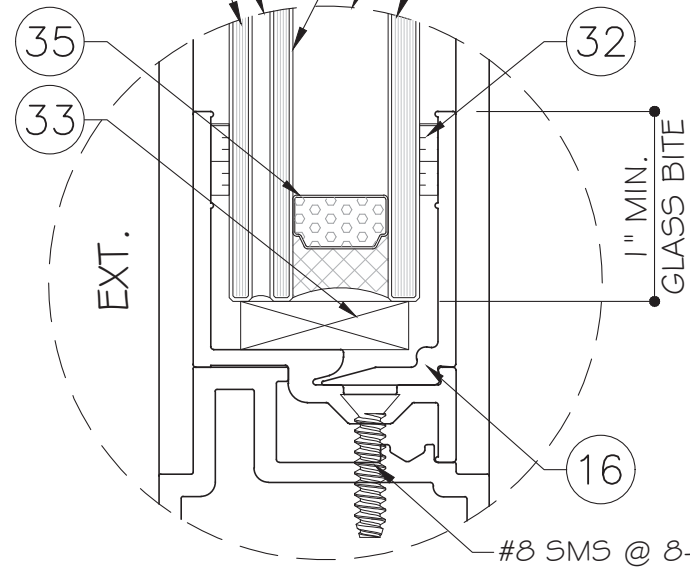


E2
DATE: 08.11.2023
SCALE: AS SHOWN
DRAWN: James
PROJECT: 17-004

DRAWING NO.
AD17-03

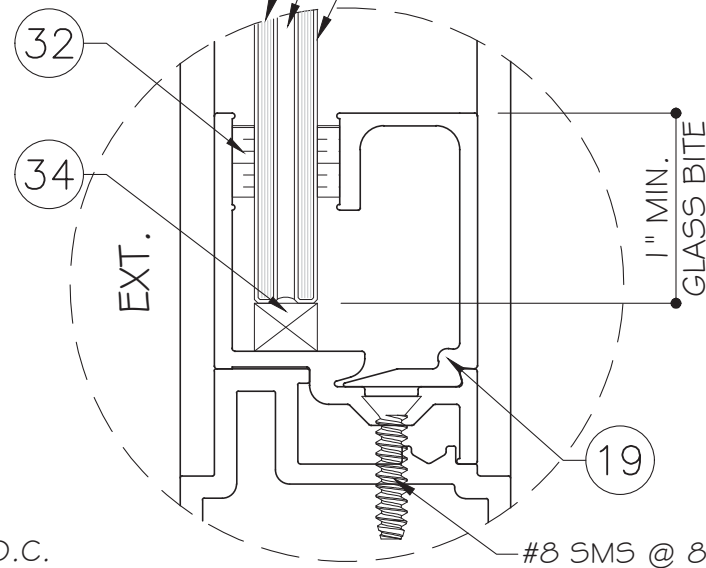
0.090" BUTACITE PVB INTERLAYER
BY 'KURARAY AMERICA, INC.'

1/8" H.S. GLASS
1/2" AIR SPACE
1/8" H.S. GLASS
1/4" TEMP. GLASS



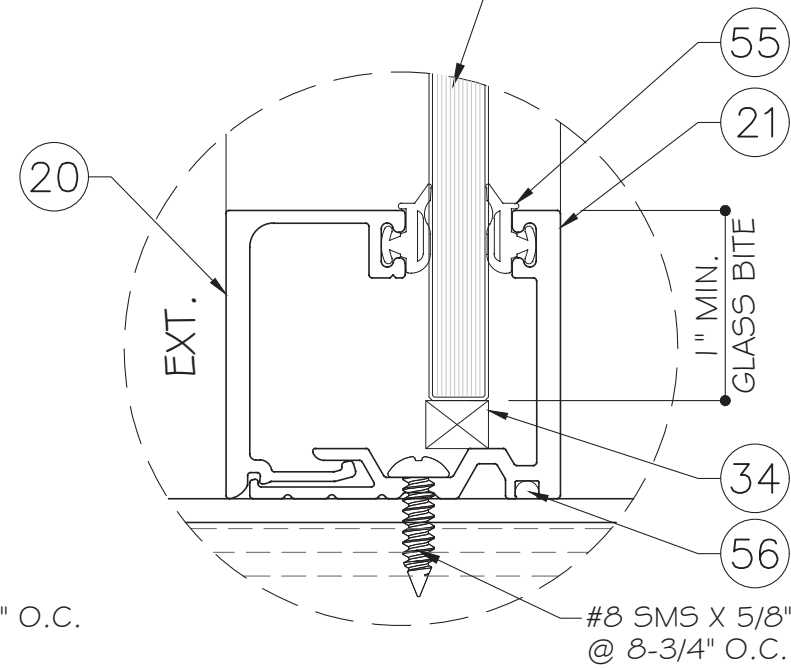
GLASS TYPE 'G1'
1" NOMINAL OVERALL

1/8" H.S. GLASS
0.090" BUTACITE PVB INTERLAYER
BY 'KURARAY AMERICA, INC.'
1/8" H.S. GLASS



GLASS TYPE 'G2'
5/16" NOMINAL OVERALL

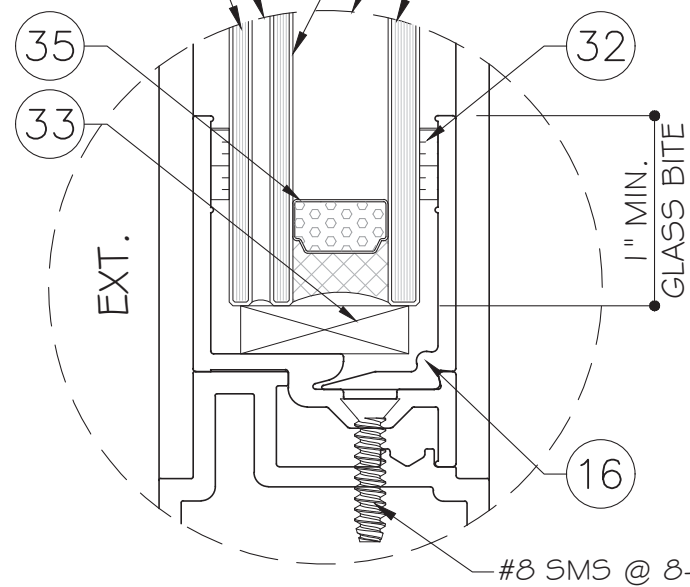
3/8" POLYCARBONATE



GLASS TYPE 'G3'
3/8" NOMINAL OVERALL
TRANSOM DETAIL

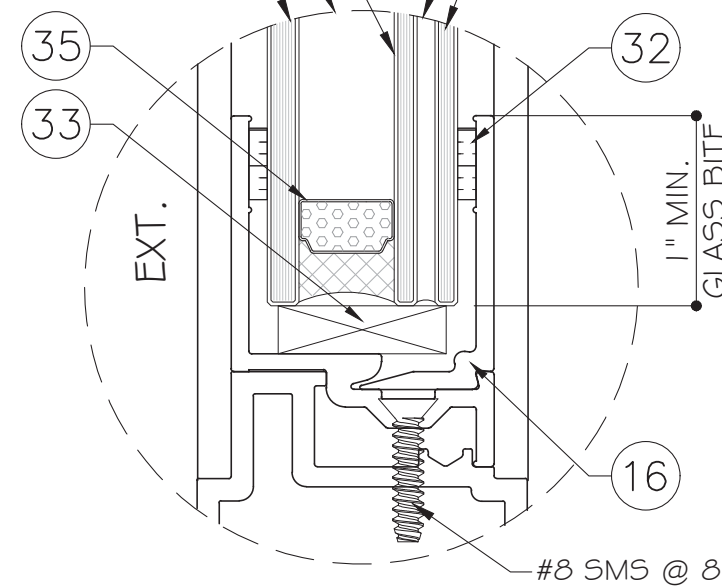
0.090" BUTACITE PVB INTERLAYER
BY 'KURARAY AMERICA, INC.'

1/8" H.S. GLASS
3/8" AIR SPACE
1/8" H.S. GLASS
1/4" TEMP. GLASS



GLASS TYPE 'G4'
1" NOMINAL OVERALL

1/8" H.S. GLASS
1/4" AIR SPACE
0.090" BUTACITE PVB INTERLAYER
BY 'KURARAY AMERICA, INC.'
1/4" TEMP. GLASS
1/8" H.S. GLASS



GLASS TYPE 'G5'
1" NOMINAL OVERALL

NOTE:
GLASS COMPLIES WITH ASTM
E1300-09 (3 SEC. GUSTS).

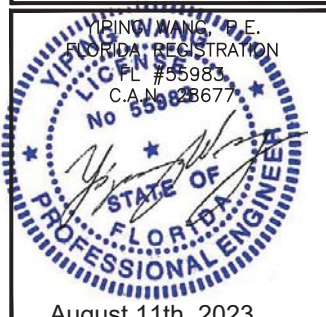
NO.	DATE	DESCRIPTION
R3	08.11.23	2023 FBC

MCY ENGINEERING, INC.
GLAZING CONSULTANTS
12781 MIRAMAR PARKWAY #301
MIRAMAR, FL 33027 P: 305.271.0117
www.MCYEngineering.com mcy@mcyengineering.com

SERIES 15 ALUMINUM OUTSWING GLASS DOORS - LMI & SMI
SPECIAL-LITE, INC.
860 SOUTH WILLIAMS STREET
P.O. BOX 6
DECATUR, MI 49045
WWW.SPECIAL-LITE.COM



FLORIDA APPROVAL:
FL#21856.1



August 11th, 2023

G1	
DATE	08.11.2023
SCALE	AS SHOWN
DRAWN	James
PROJECT	17-004

DRAWING NO.
AD17-03

4 OF 15

FRAME HEIGHT

DOOR OPENING

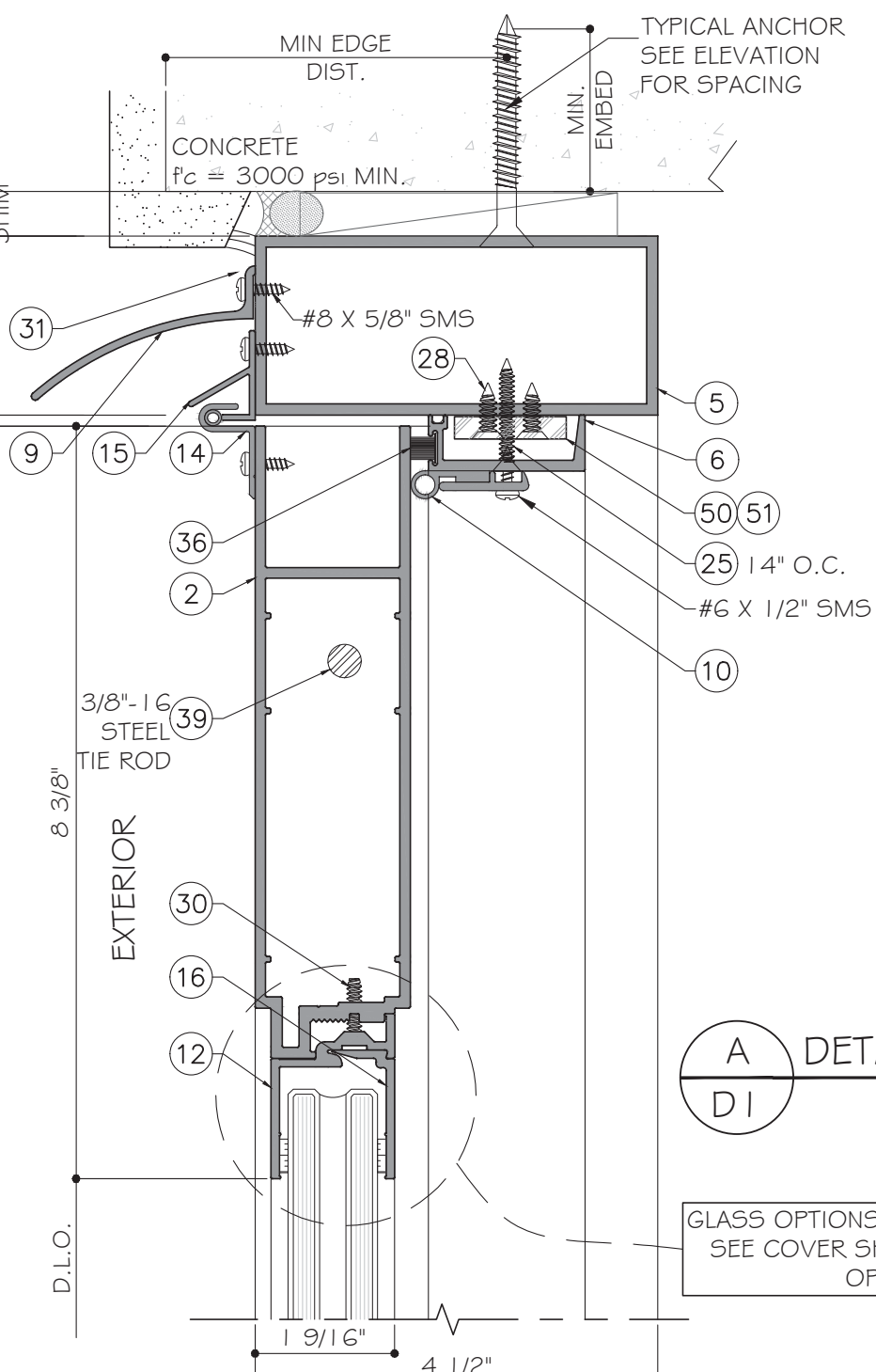
EXTERIOR

D.L.O.

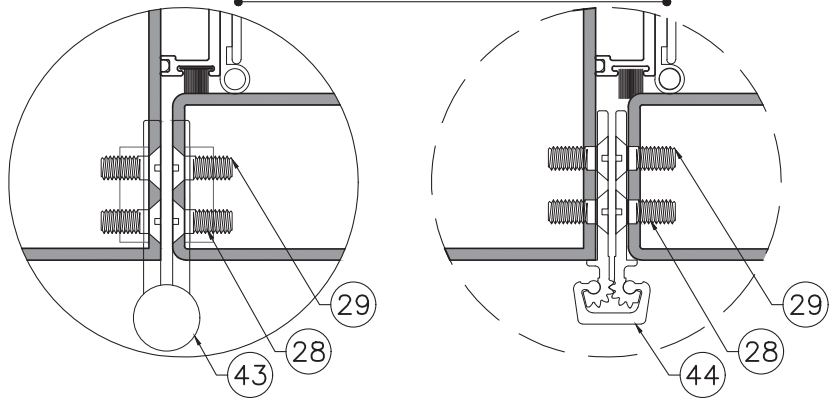
1/2" MAX. SHIM
2"
1/8"

8 3/8"

1 9/16" 4 1/2"

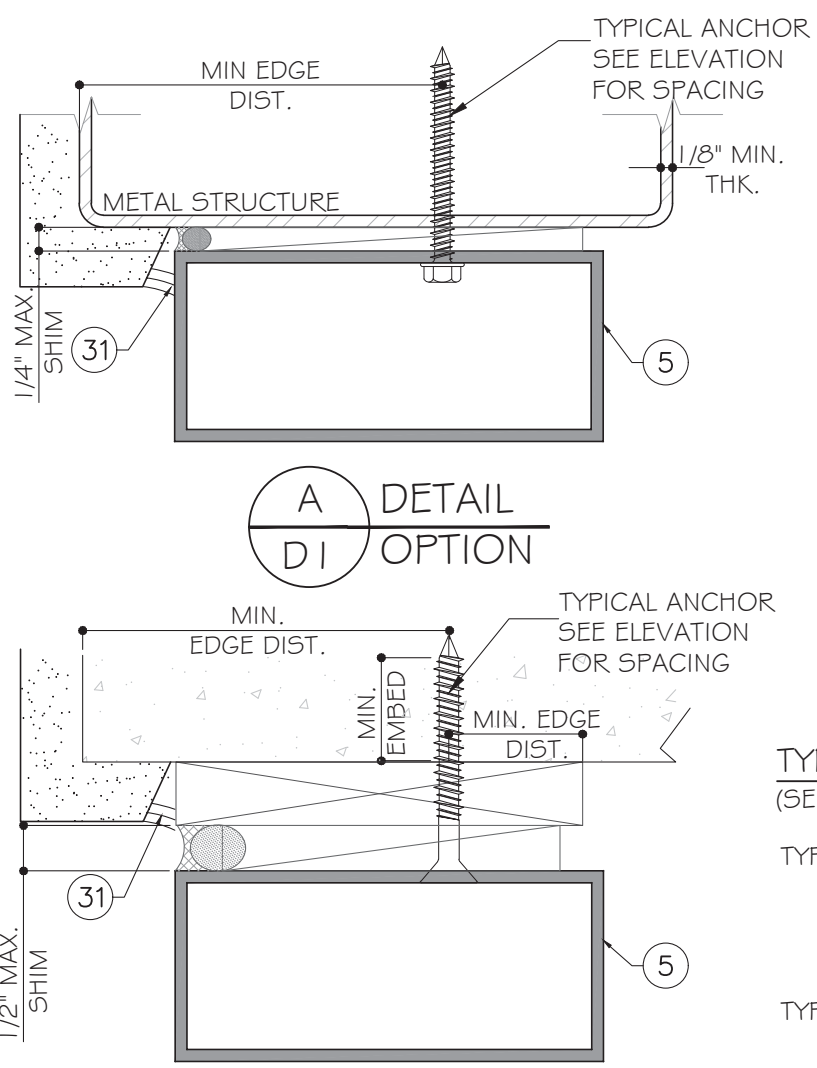


GLASS OPTIONS INTERCHANGEABLE.
SEE COVER SHEET FOR GLAZING
OPTIONS.



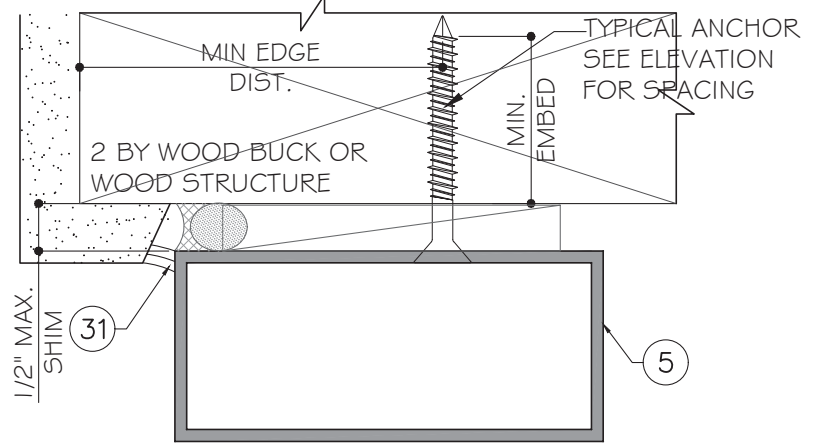
43 DESIGN HARDWARE BALL BEARING HINGE
44 SELECT PRODUCTS CONTINUOUS HINGE

HINGE OPTIONS



A
DI
DETAIL
OPTION

A
DI
DETAIL
OPTION



A
DI
DETAIL
OPTION

TYPICAL ANCHORS:
(SEE ELEVATIONS FOR SPACING)

- TYPE 'A': 1/4" DIA. ITW TAPCON ($F_u = 120 \text{ KSI}$, $F_y = 92 \text{ KSI}$)
1-1/2" MIN. EMBED INTO WOOD STRUCTURE
OR THRU 1X OR 2X WOOD BUCK INTO CONCRETE / MASONRY
1-1/2" MIN. EMBED INTO CONCRETE / MASONRY
- TYPE 'B': 1/4" DIA. DEWALT ULTRACON+ ($F_u = 164 \text{ KSI}$, $F_y = 148 \text{ KSI}$)
1-1/2" MIN. EMBED INTO WOOD STRUCTURE
OR THRU 1X OR 2X WOOD BUCK INTO CONCRETE / MASONRY
1-1/2" MIN. EMBED INTO CONCRETE / MASONRY
- TYPE 'C': #14 SMS OR TEKS SELF DRILLING SCREW (GRADE 5)
INTO METAL STRUCTURE

SUBSTRATE:

- CONCRETE: $f'_c = 3 \text{ KSI MIN.}$ (HEAD/SILL OR JAMB)
MASONRY/CONCRETE BLOCK: $f'_c = 2 \text{ KSI MIN.}$ (JAMB ONLY)
WOOD: $S_G = 0.55 \text{ MIN.}$ (HEAD/JAMB)
STEEL: 1/8" MIN. THK., A36 MIN. (HEAD/JAMB)

TYPICAL EDGE DISTANCE:
INTO CONCRETE / MASONRY: 2-1/2" MIN.
INTO WOOD: 1" MIN.
INTO METAL: 3/4" MIN.

FLORIDA APPROVAL:
FL#21856.1

YIPING WANG, P.E.
FLORIDA REGISTRATION
FL #55983
C.A. No. 28677

August 11th, 2023

NO.	DATE	DESCRIPTION
R3	08.11.23	2023_FBC

MCY ENGINEERING, INC.
GLAZING CONSULTANTS

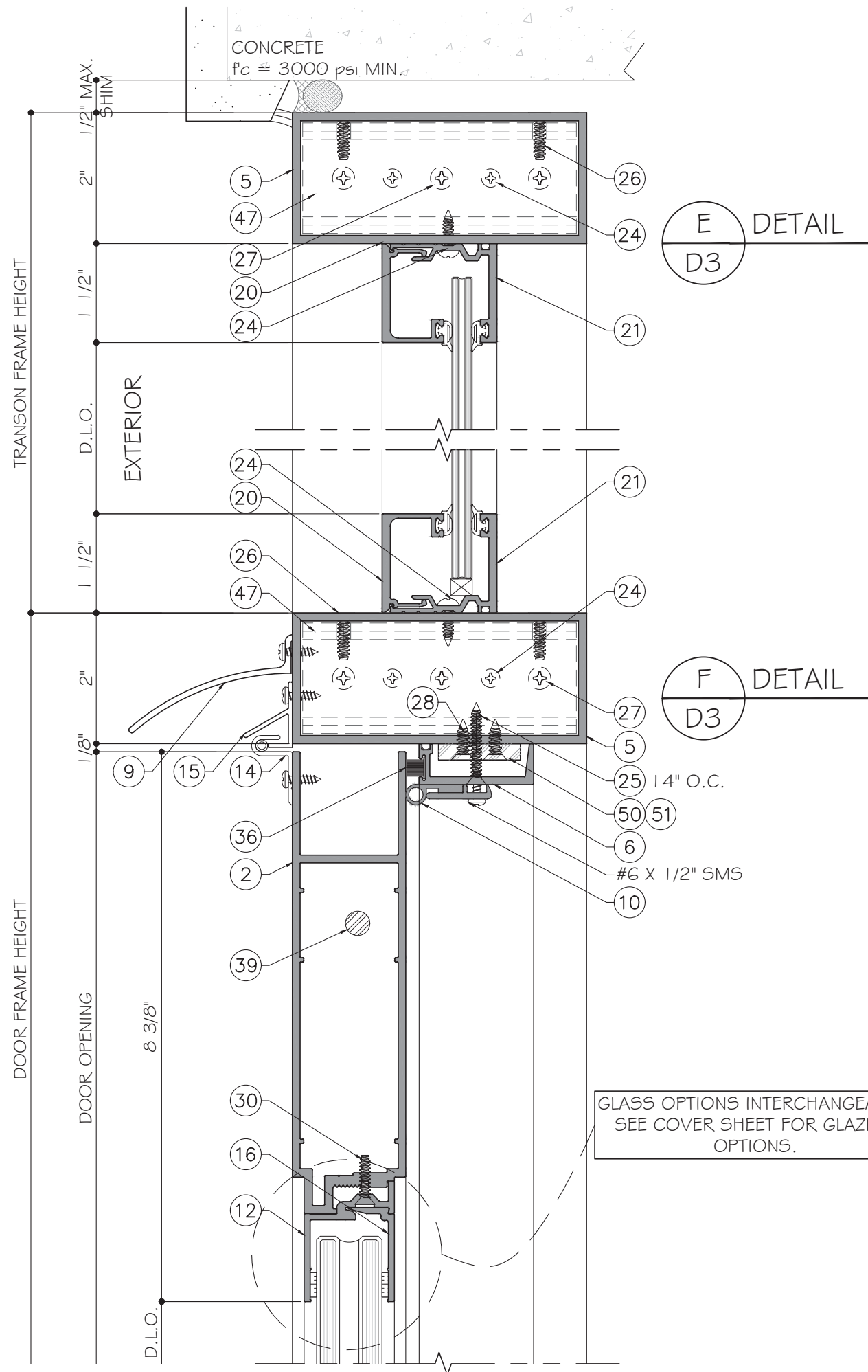
12781 MIRAMAR PARKWAY #301
MIRAMAR, FL 33027
P: 305.271.0117
www.MCYEngineering.com
mcy@mcyengineering.com

SERIES 15 ALUMINUM OUTSWING GLASS DOORS - LMI & SMI

SPECIAL-LITE, INC.
860 SOUTH WILLIAMS STREET
P.O. BOX 6
DECATUR, MI 49045
WWW.SPECIAL-LITE.COM

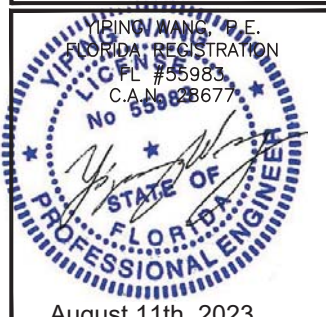
Special-Lite®
Doors with more life.

D1	
DATE	08.11.2023
SCALE	AS SHOWN
DRAWN	James
PROJECT	17-004
DRAWING NO. AD17-03	
5 OF 15	



GLASS OPTIONS INTERCHANGEABLE.
SEE COVER SHEET FOR GLAZING
OPTIONS.

FLORIDA APPROVAL:
FL#21856.1



August 11th, 2023

DATE	08.11.2023
SCALE	AS SHOWN
DRAWN	James
PROJECT	17-004

DRAWING NO.
AD17-03

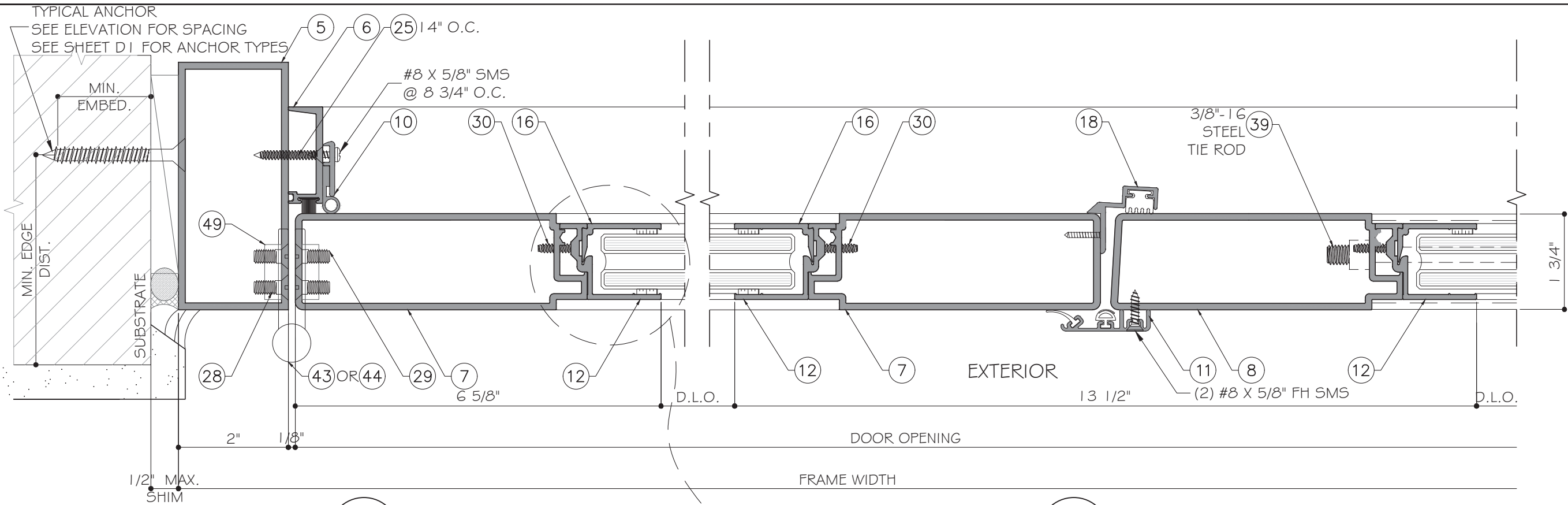
7 OF 15

SERIES 15 ALUMINUM OUTSWING GLASS DOORS - LMI & SMI
SPECIAL-LITE, INC.
860 SOUTH WILLIAMS STREET
P. O. BOX 6
DECATUR, MI 49045
WWW.SPECIAL-LITE.COM



MCY ENGINEERING, INC.
GLAZING CONSULTANTS
12781 MIRAMAR PARKWAY #301
MIRAMAR, FL 33027
P: 305.271.0117
www.MCYEngineering.com mcy@mcyengineering.com

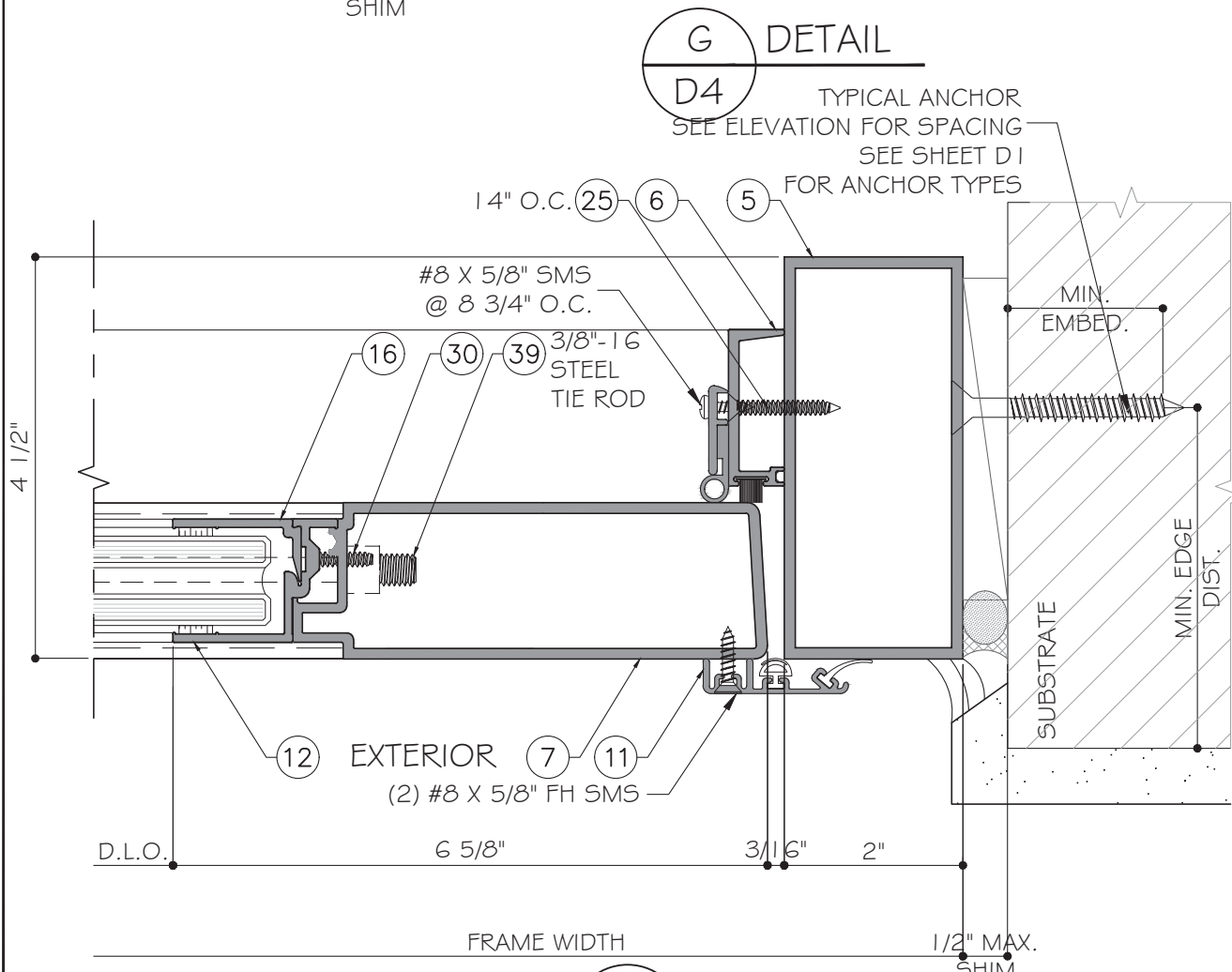
NO.	DATE	DESCRIPTION
R3	08.11.23	2023_FBC



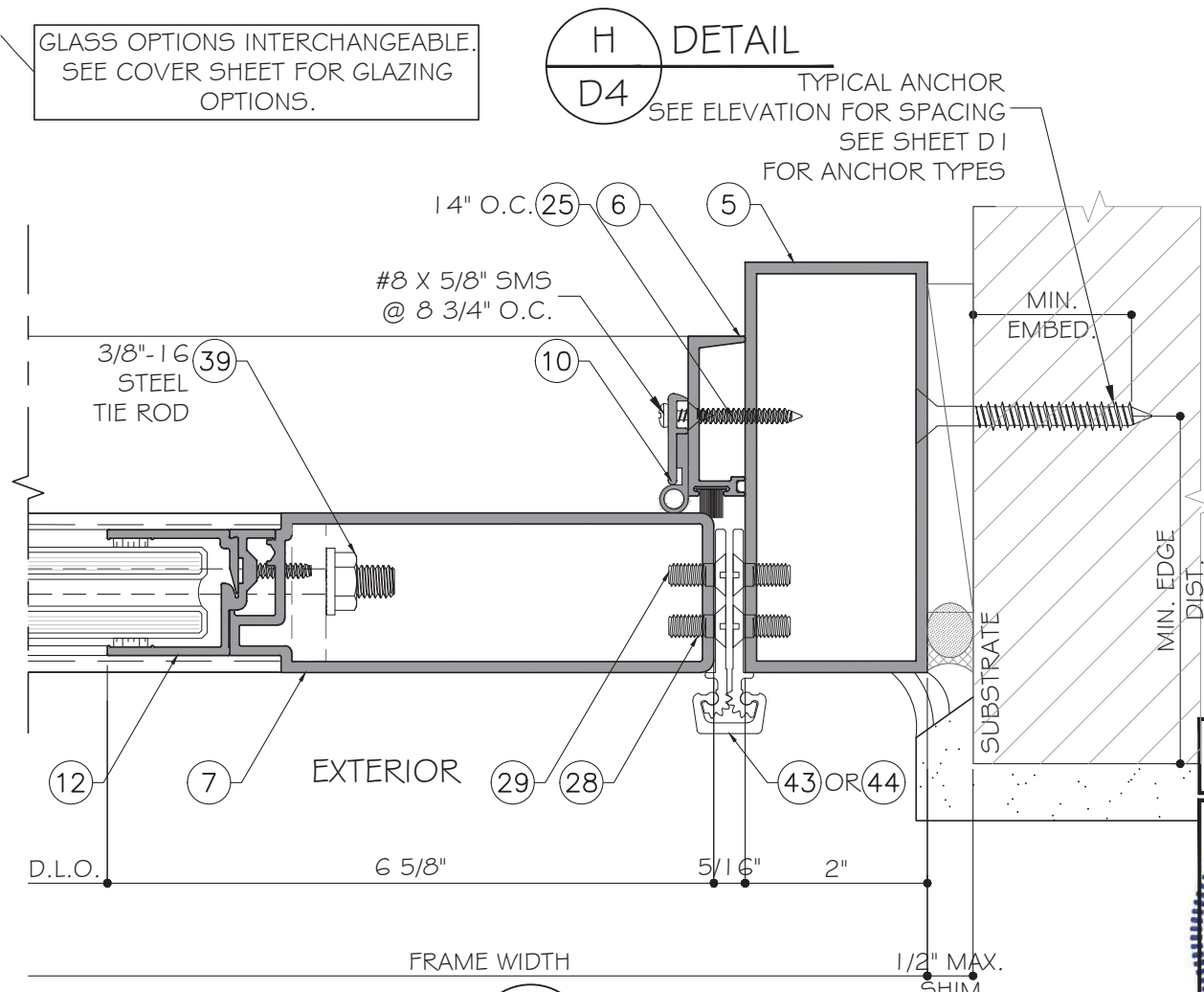
G DETAIL
D4

GLASS OPTIONS INTERCHANGEABLE.
SEE COVER SHEET FOR GLAZING
OPTIONS.

H DETAIL
D4

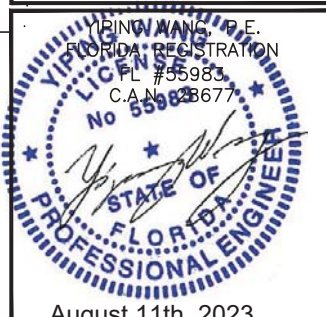


I DETAIL
D4



J DETAIL
D4

FLORIDA APPROVAL:
FL#21856.1



NO.	DATE	DESCRIPTION
R3	08.11.23	2023_FBC

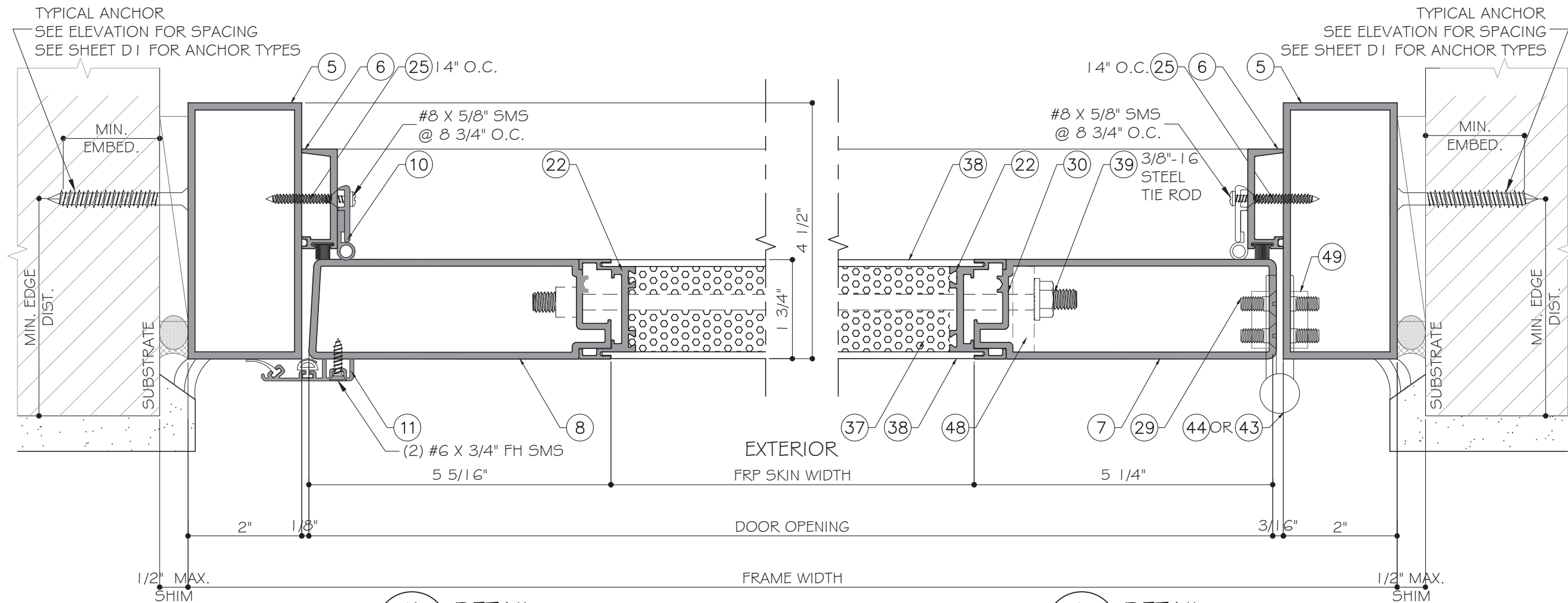
MCY ENGINEERING, INC.
GLAZING CONSULTANTS
12781 MIRAMAR PARKWAY #301
MIRAMAR, FL 33027
P: 305.271.0117
www.MCYEngineering.com
mcy@mcyengineering.com

SERIES 15 ALUMINUM OUTSWING GLASS DOORS - LMI & SMI
SPECIAL-LITE, INC.
860 SOUTH WILLIAMS STREET
P.O. BOX 6
DECATUR, MI 49045
WWW.SPECIAL-LITE.COM



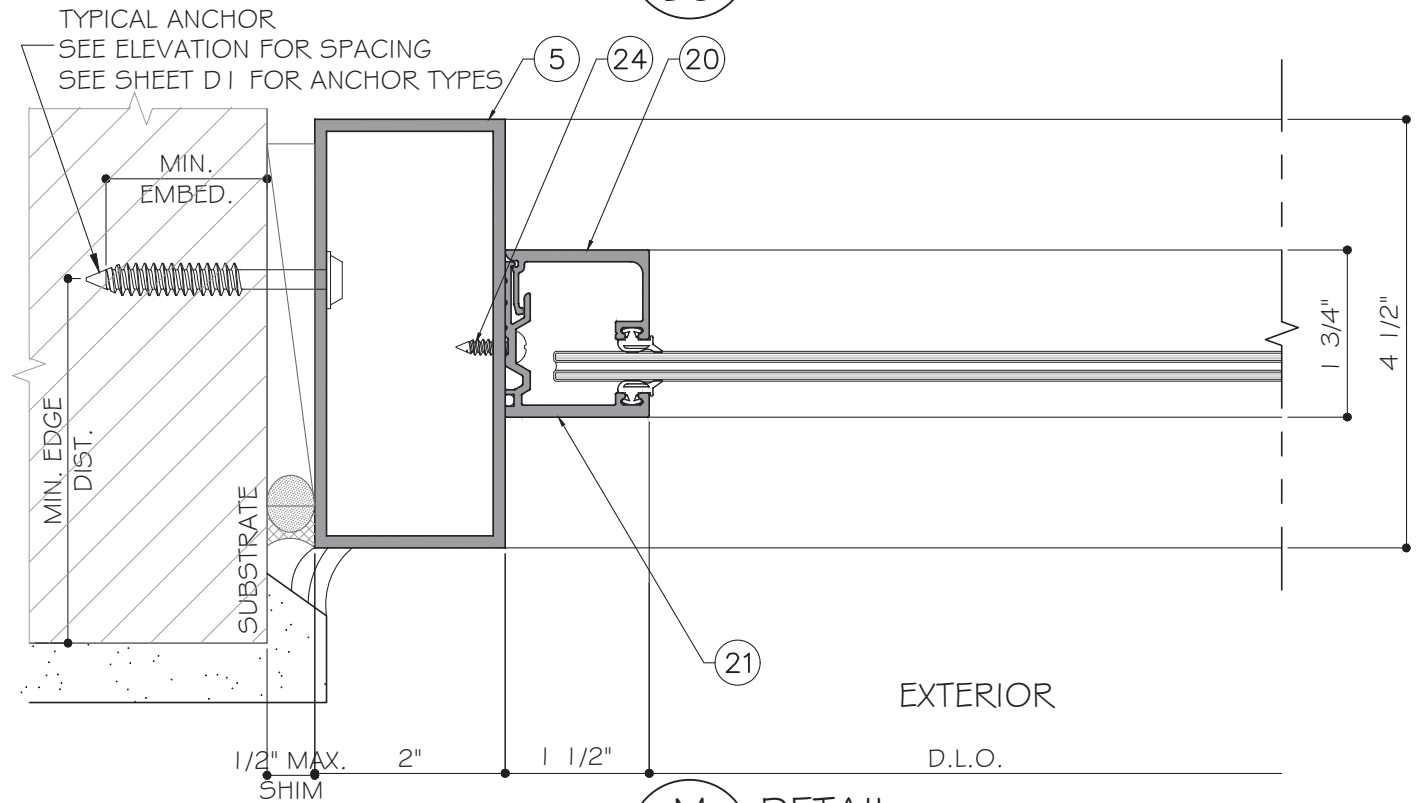
DATE	08.11.2023
SCALE	AS SHOWN
DRAWN	James
PROJECT	17-004

DRAWING NO.
AD17-03



K
D5
DETAIL

L
D5
DETAIL



M
D5
DETAIL

FLORIDA APPROVAL:
FL#21856.1

YIPING WANG, P.E.
FLORIDA REGISTRATION
FL #55983
C.A. No. 28677

August 11th, 2023

NO.	DATE	DESCRIPTION
R3	08.11.23	2023_FBC

MCY ENGINEERING, INC.
GLAZING CONSULTANTS

12781 MIRAMAR PARKWAY #301
MIRAMAR, FL 33027 P: 305.271.0117
www.MCYEngineering.com mcy@mcyengineering.com

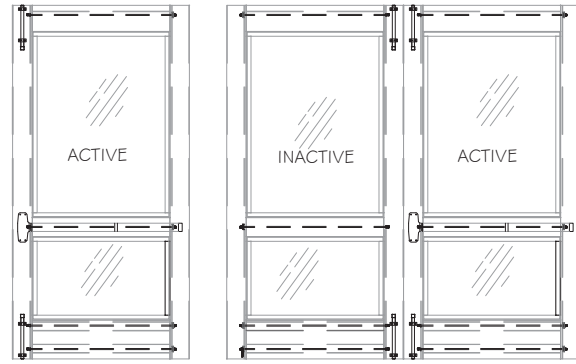
SERIES 15 ALUMINUM OUTSWINGING GLASS DOORS - LMI & SMI

SPECIAL-LITE, INC.
860 SOUTH WILLIAMS STREET
P.O. BOX 6
DECATUR, MI 49045
WWW.SPECIAL-LITE.COM



D5	
DATE	08.11.2023
SCALE	AS SHOWN
DRAWN	James
PROJECT	17-004
DRAWING NO. AD17-03	
9 OF 15	

APPROVED CONFIGURATIONS AND HARDWARE

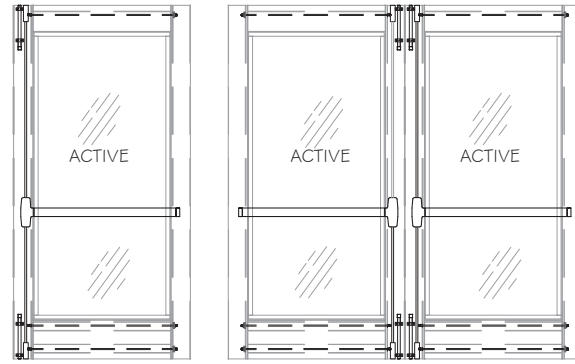


OPTION 1
 LOCK:
 ACTIVE PANEL: VON DUPRIN MORTISE LOCK 9975EO @ 39" FROM BOTTOM

 SURFACE BOLT
 INACTIVE PANEL: IVES SB360
 ACTIVE PANEL: ABH HD1825
 ENGAGEMENT: 13/16" @ THRESHOLD AND 5/8" @ FRAME HEAD.

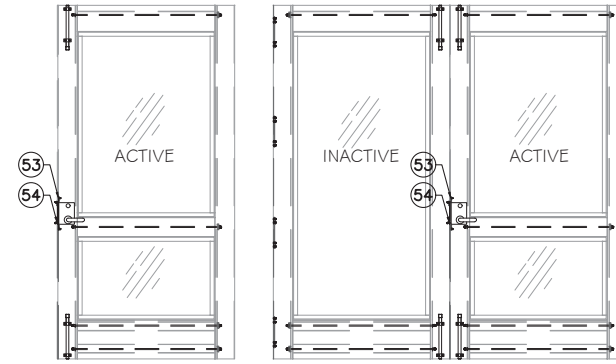
FLUSH BOLT:
 INACTIVE PANEL: IVES 458
 ENGAGEMENT: 9/16" @ THRESHOLD AND FRAME HEAD

DOOR CLOSER: ALLEGION LCN 4040 SERIES



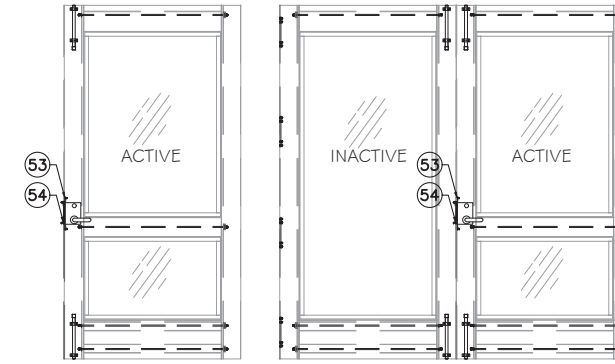
OPTION 2
 LOCK:
 ACTIVE PANEL: VON DUPRIN CVR 9947EO PANIC DEVICE W/ 2 POINT LOCK SYSTEM.

SURFACE BOLTS:
 ACTIVE PANEL: IVES SB360
 ENGAGEMENT: 13/16" @ THRESHOLD AND 9/16" @ FRAME HEAD.



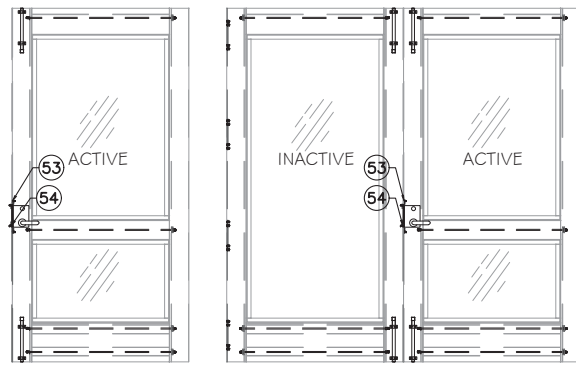
OPTION 3
 LOCK:
 ACTIVE PANEL: SCHLAGE L9453P SERIES MORTISE LOCK AND DEADBOLT

SURFACE BOLTS:
 INACTIVE PANEL: ABH SURFACE BOLTS
 ACTIVE PANEL: IVES SB360
 ENGAGEMENT: 15/16" @ THRESHOLD AND 7/8" @ FRAME HEAD.



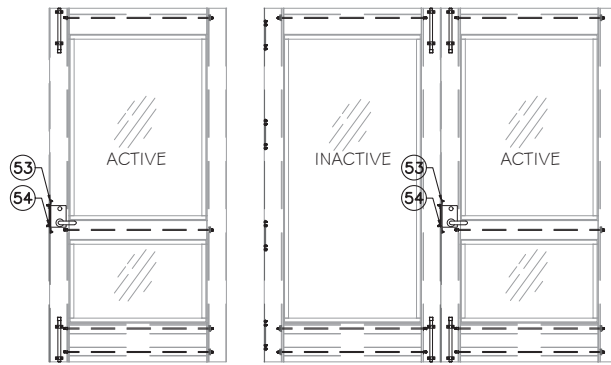
OPTION 4
 LOCK:
 ACTIVE PANEL: DORMA MORTISE LOCK SL1 I HD WITH SURFACE MOUNT STRIKE PLATE

SURFACE BOLTS:
 INACTIVE PANEL: ABH SURFACE BOLTS HD1825
 ACTIVE PANEL: ABH SURFACE BOLTS HD1825
 ENGAGEMENT: 13/16" @ THRESHOLD AND 5/8" @ FRAME HEAD.



OPTION 5
 LOCK:
 ACTIVE PANEL: DESIGN HARDWARE MORTISE LOCK AND DEADBOLT AT 39 1/4" FROM BOTTOM

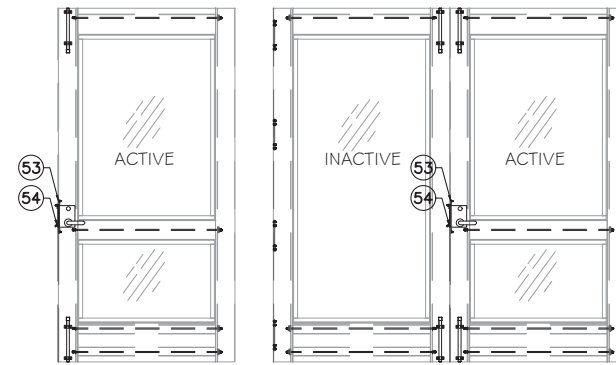
SURFACE BOLT:
 INACTIVE PANEL: ABH HD1825
 ACTIVE PANEL: IVES SB360
 ENGAGEMENT: 13/16" @ THRESHOLD AND 9/16" @ FRAME HEAD.



OPTION 6
 LOCK:
 ACTIVE PANEL: DESIGN HARDWARE CYLINDRICAL LOCK Z SERIES AT 39 3/4" FROM BOTTOM

SURFACE BOLT:
 INACTIVE PANEL: IVES SB360 W/ ABH FLUSH BOLTS
 ACTIVE PANEL: ABH HD1825
 ENGAGEMENT: 13/16" @ THRESHOLD AND 9/16" @ FRAME HEAD.

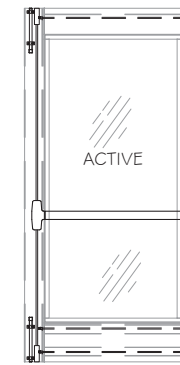
FLUSH BOLTS
 INACTIVE: ABH 1855 @ 12" FROM ENDS
 ENGAGEMENT: 9/16" @ THRESHOLD & HEAD.



OPTION 7
 LOCK:
 ACTIVE PANEL: SECURITECH EXIT PANIC DEVICE AT 39" FROM BOTTOM

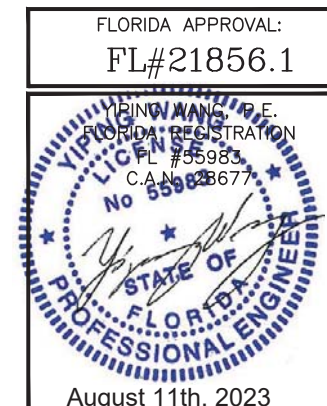
SURFACE BOLT:
 ACTIVE PANEL: IVES SB360
 INACTIVE PANEL: IVES SB360
 ENGAGEMENT: 13/16" @ THRESHOLD AND 5/8" AT FRAME HEAD

FLUSH BOLTS
 ACTIVE PANEL: IVES 458
 ENGAGEMENT: 13/16" @ THRESHOLD AND 5/8" @ FRAME HEAD.



OPTION 8
 LOCK:
 ACTIVE PANEL: DORMA 9954 MORTISE LOCK W/ LEVER HANDLE AND DEADBOLT @ 38" FROM BOTTOM

SURFACE BOLTS:
 ACTIVE PANEL: IVES SB360 SURFACE BOLTS
 ENGAGEMENT: 1/2" @ THRESHOLD AND 13/16" @ FRAME HEAD.



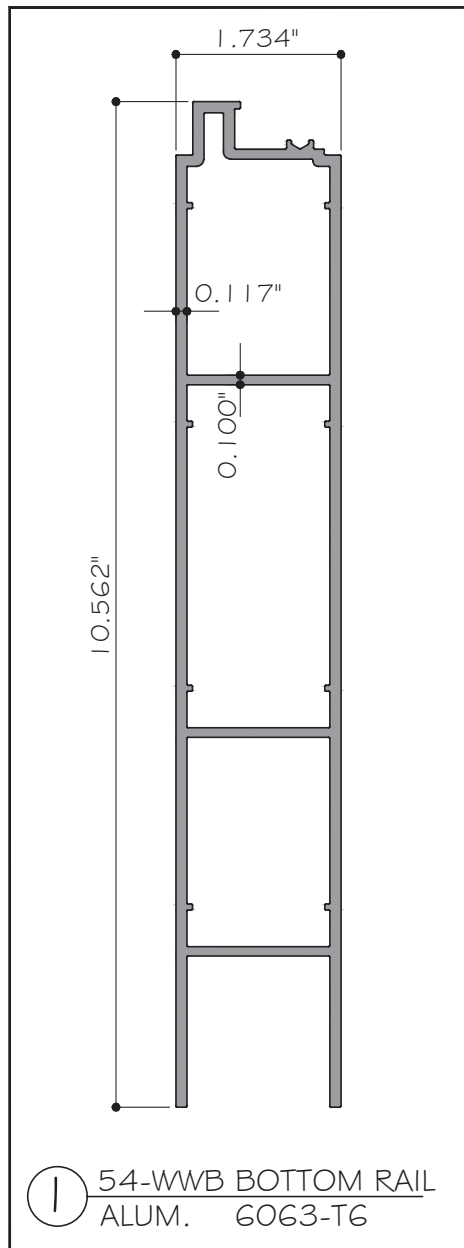
NO.	DATE	DESCRIPTION
R3	08.11.23	2023 FBC

MCY ENGINEERING, INC.
 GLAZING CONSULTANTS
 12781 MIRAMAR PARKWAY #301
 MIRAMAR, FL 33027
 P: 305.271.0117
 www.MCYEngineering.com
 mcy@mcyengineering.com

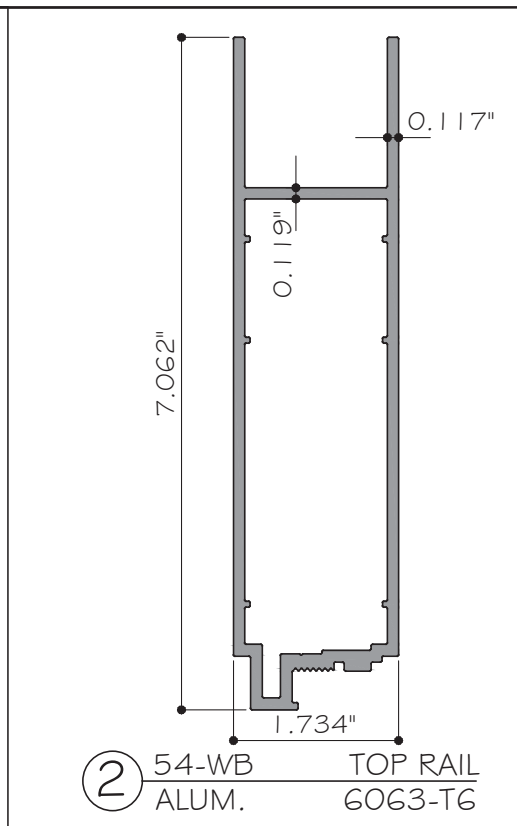
SERIES 15 ALUMINUM OUTSWING GLASS DOORS - LMI & SMI
 SPECIAL-LITE, INC.
 860 SOUTH WILLIAMS STREET
 P. O. BOX 6
 DECATUR, MI 49045
 WWW.SPECIAL-LITE.COM



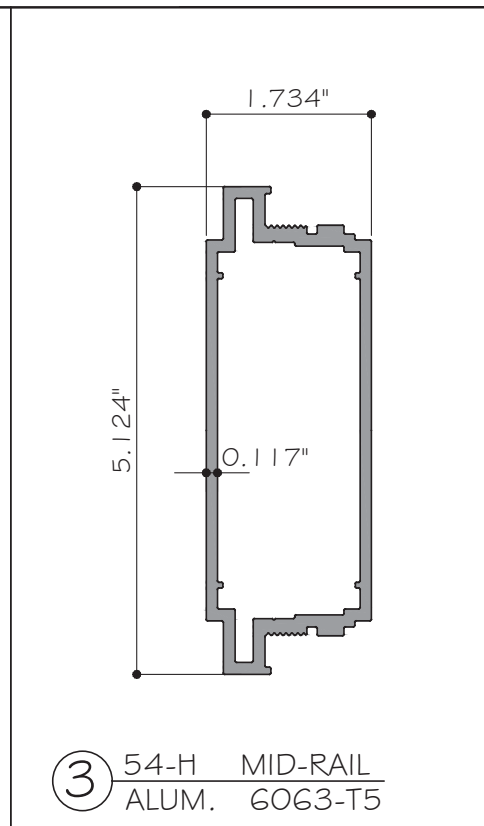
DATE		08.11.2023
SCALE		AS SHOWN
DRAWN		James
PROJECT		17-004
DRAWING NO.		
AD17-03		
10 OF 15		



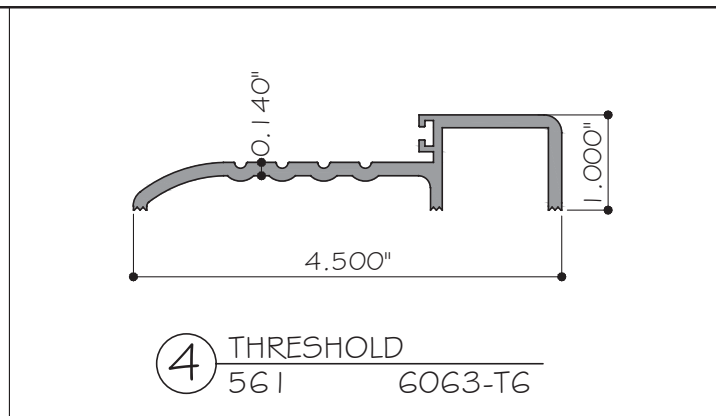
① 54-WWB BOTTOM RAIL
ALUM. 6063-T6



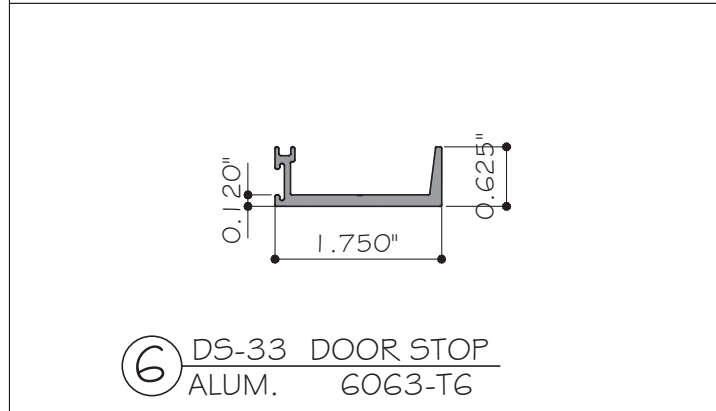
② 54-WB TOP RAIL
ALUM. 6063-T6



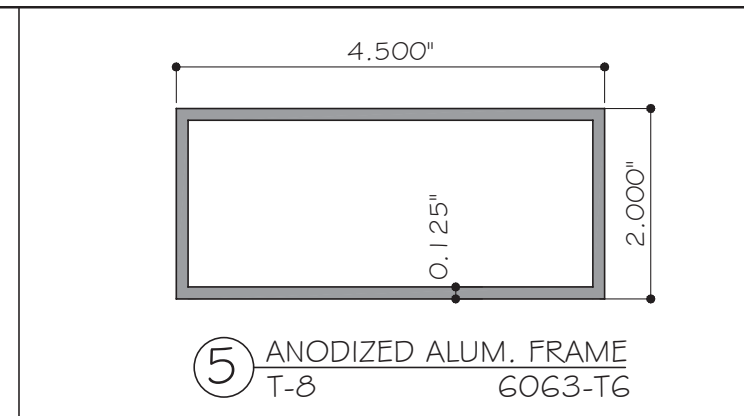
③ 54-H MID-RAIL
ALUM. 6063-T5



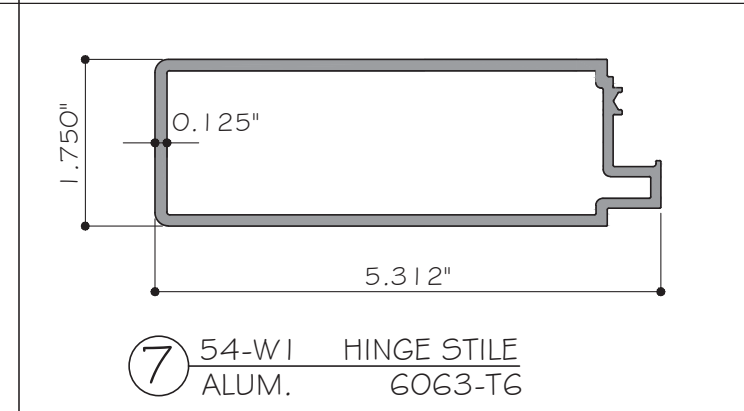
④ THRESHOLD
561 6063-T6



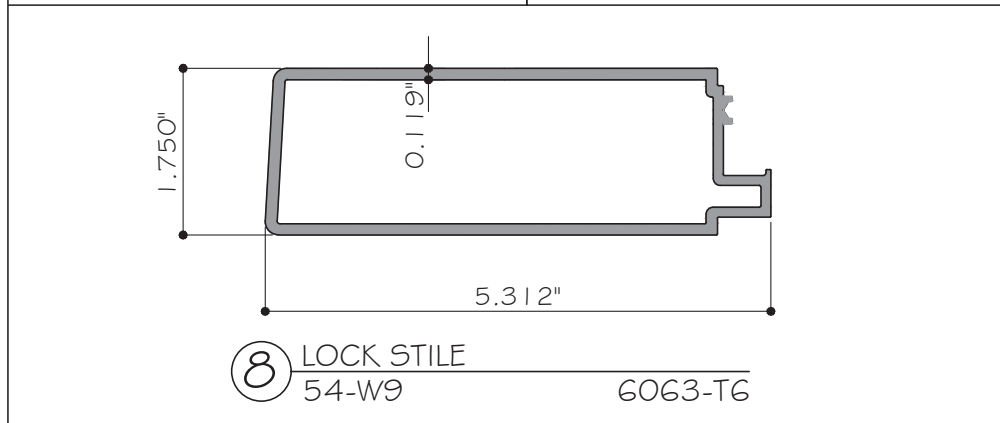
⑥ DS-33 DOOR STOP
ALUM. 6063-T6



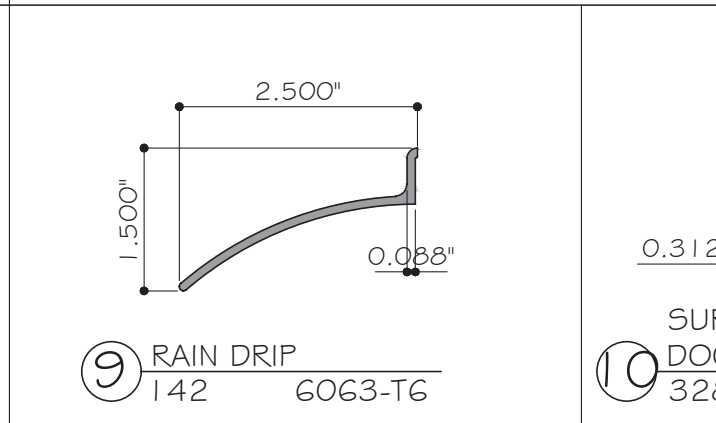
⑤ ANODIZED ALUM. FRAME
T-8 6063-T6



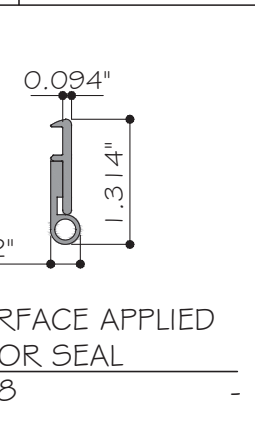
⑦ 54-W1 HINGE STILE
ALUM. 6063-T6



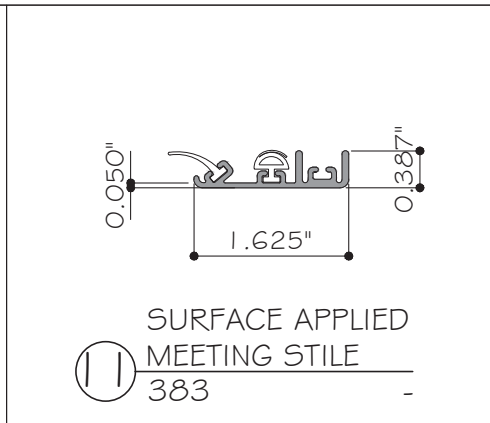
⑧ LOCK STILE
54-W9 6063-T6



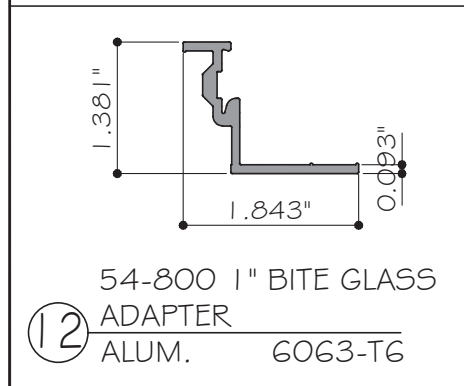
⑨ RAIN DRIP
142 6063-T6



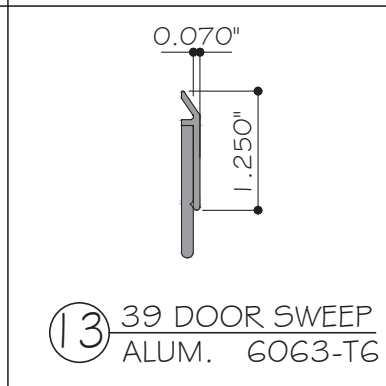
⑩ SURFACE APPLIED
DOOR SEAL
328



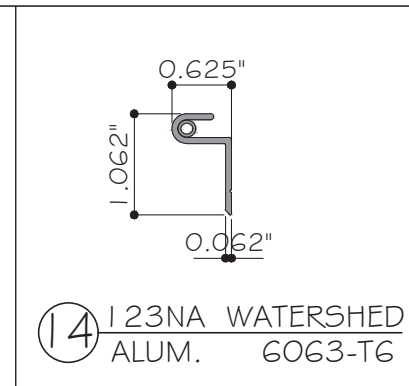
⑪ SURFACE APPLIED
MEETING STILE
383



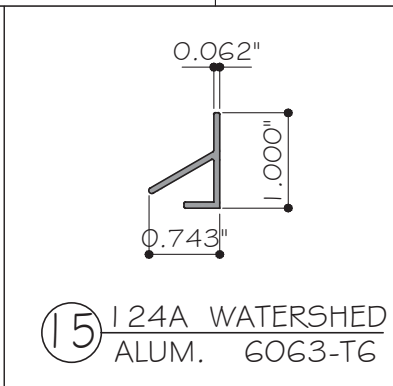
⑫ 54-800 1" BITE GLASS
ADAPTER
ALUM. 6063-T6



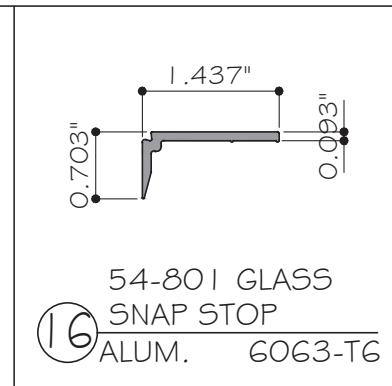
⑬ 39 DOOR SWEEP
ALUM. 6063-T6



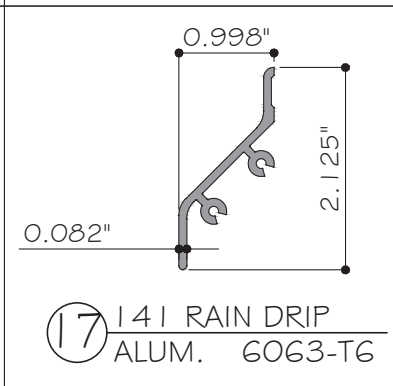
⑭ 123NA WATERSHED
ALUM. 6063-T6



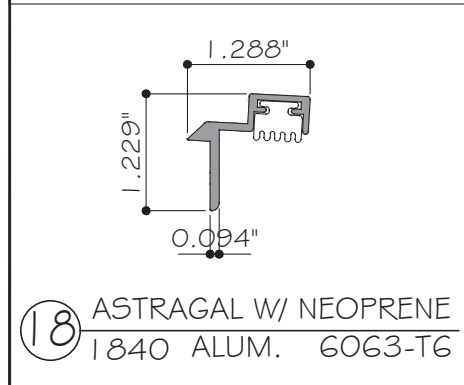
⑮ 124A WATERSHED
ALUM. 6063-T6



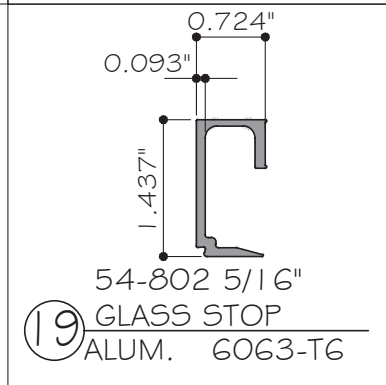
⑯ 54-801 GLASS
SNAP STOP
ALUM. 6063-T6



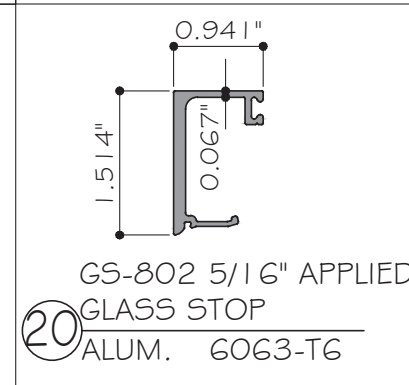
⑰ 141 RAIN DRIP
ALUM. 6063-T6



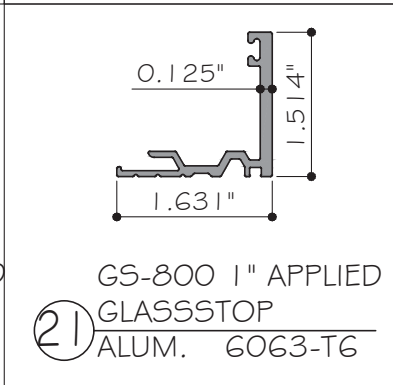
⑱ ASTRAGAL W/ NEOPRENE
1840 ALUM. 6063-T6



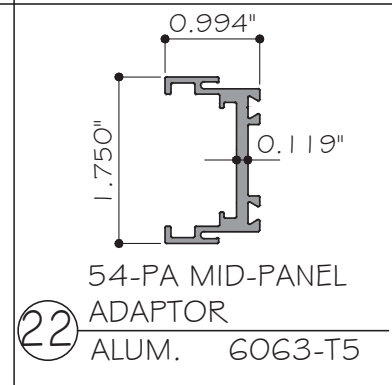
⑲ 54-802 5/16"
GLASS STOP
ALUM. 6063-T6



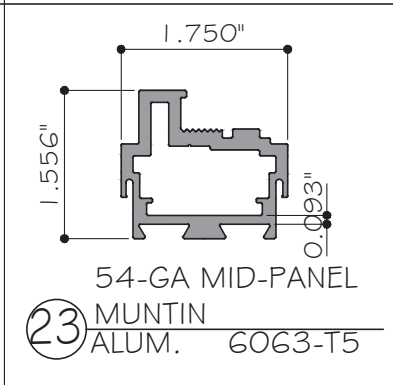
⑳ GS-802 5/16" APPLIED
GLASS STOP
ALUM. 6063-T6



㉑ GS-800 1" APPLIED
GLASS STOP
ALUM. 6063-T6



㉒ 54-PA MID-PANEL
ADAPTOR
ALUM. 6063-T5



㉓ 54-GA MID-PANEL
MUNTIN
ALUM. 6063-T5

FLORIDA APPROVAL:
FL#21856.1

YIPING WANG, P.E.
FLORIDA REGISTRATION
FL #55983
C.A.# 28677

August 11th, 2023

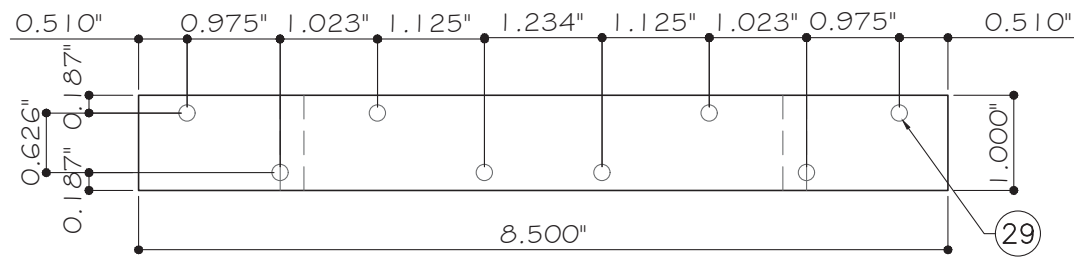
NO.	DATE	DESCRIPTION
R3	08.11.23	2023_FBC

MCY ENGINEERING, INC.
GLAZING CONSULTANTS
12781 MIRAMAR PARKWAY #301
MIRAMAR, FL 33027
P: 305.271.0117
www.MCYEngineering.com mcy@mcyengineering.com

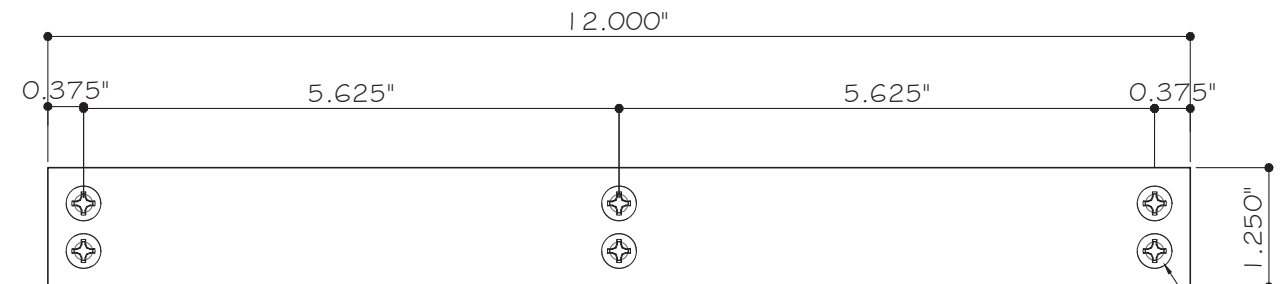
SERIES 15 ALUMINUM OUTSWING GLASS DOORS - LMI & SMI
SPECIAL-LITE, INC.
860 SOUTH WILLIAMS STREET
P.O. BOX 6
DECATUR, MI 49045
WWW.SPECIAL-LITE.COM



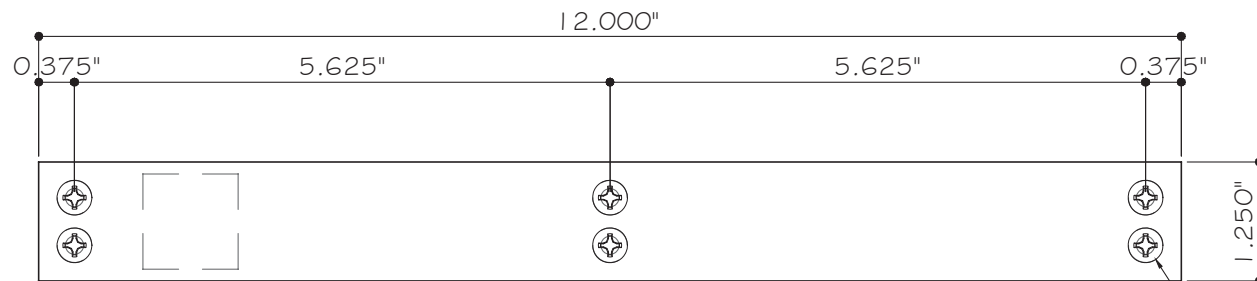
PARTS	
DATE	08.11.2023
SCALE	AS SHOWN
DRAWN	James
PROJECT	17-004
DRAWING NO. AD17-03	
11 OF 15	



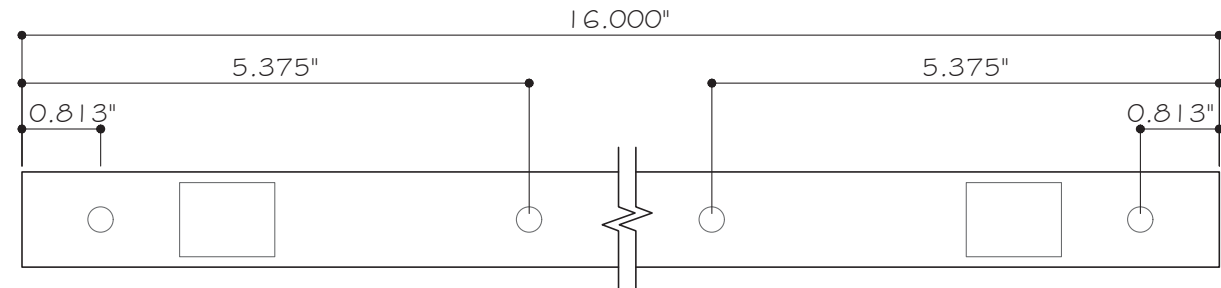
49 ALUM. PLATE HINGE REINF. 1/4" THK.
PT-508 ALUM. 6061-T6



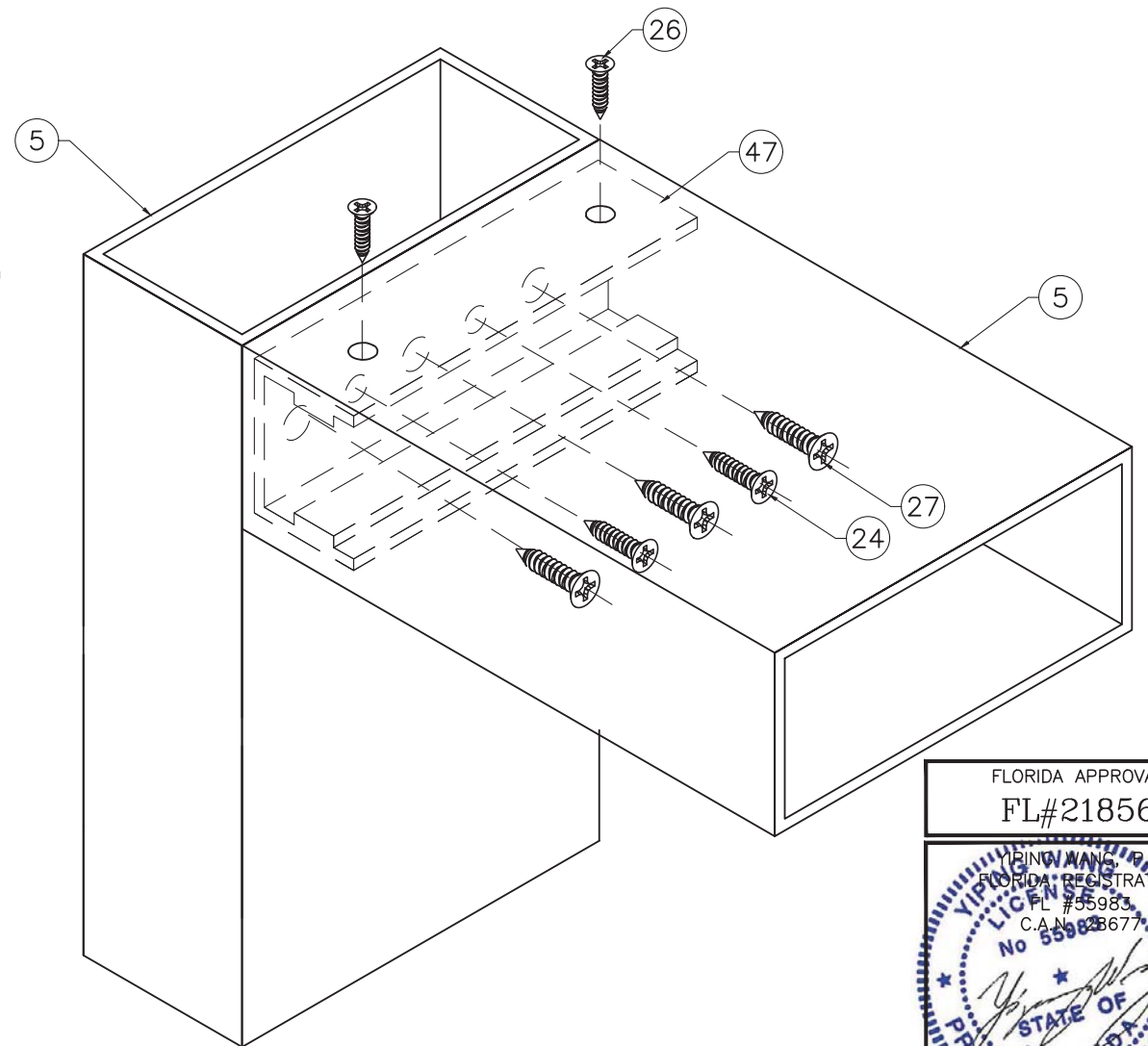
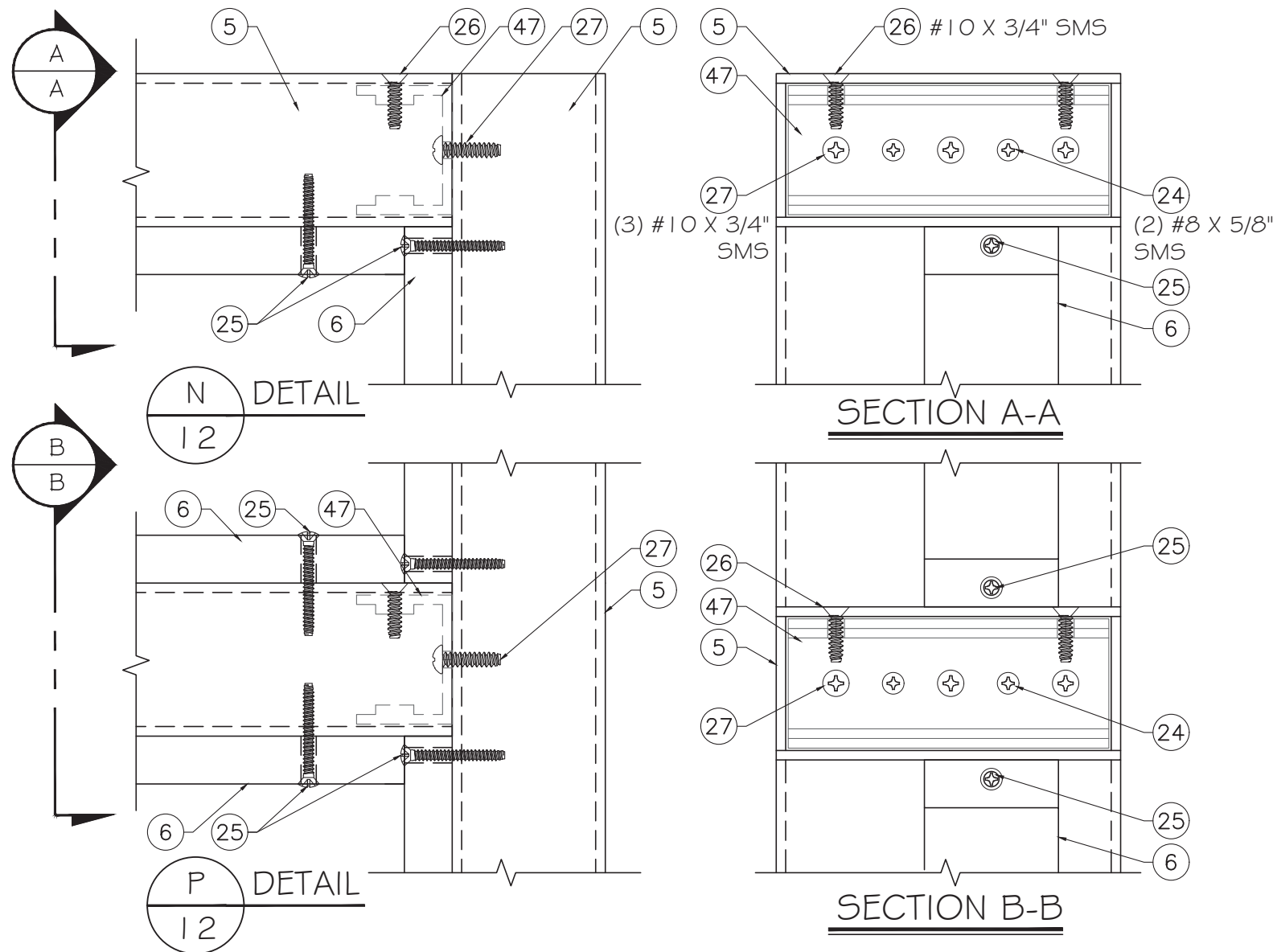
50 1-1/4" X 1/2" X 12" LG. ALUM. BAR REINF.
PT-8001 ALUM. 6061-T6



51 1-1/4" X 1/2" X 12" LG. ALUM BAR REINF.
PT-8002 ALUM. 6061-T6



52 1" X 0.855" X 16" LG. ALUM. BAR REINF..
PT-8003 ALUM. 6061-T6



CORNER CONNECTION DETAIL

FLORIDA APPROVAL:
FL#21856.1

YIPING WANG, P.E.
FLORIDA REGISTRATION
FL #55983
C.A.# 28677

August 11th, 2023

NO.	DATE	DESCRIPTION
R3	08.11.23	2023_FBC

MCY ENGINEERING, INC.
GLAZING CONSULTANTS

12781 MIRAMAR PARKWAY #301
MIRAMAR, FL 33027
P: 305.271.0117
www.MCYEngineering.com
mcy@mcyengineering.com

SERIES 15 ALUMINUM OUTSWING GLASS DOORS - LMI & SMI

SPECIAL-LITE, INC.
860 SOUTH WILLIAMS STREET
P.O. BOX 6
DECATUR, MI 49045
WWW.SPECIAL-LITE.COM



PARTS	
DATE	08.11.2023
SCALE	AS SHOWN
DRAWN	James
PROJECT	17-004
DRAWING NO. AD17-03	
12 OF 15	

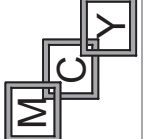
BILL OF MATERIALS

ITEM	PART	DESCRIPTION	MATERIAL	MANUFACTURER / REMARKS
1	54-WWB	BOTTOM RAIL	ALUM. 6063-T6	SPECIAL-LITE, INC.
2	54-WB	TOP RAIL	ALUM. 6063-T6	SPECIAL-LITE, INC.
3	54-H	MID-RAIL	ALUM. 6063-T5	SPECIAL-LITE, INC.
4	561	THRESHOLD	ALUM. 6063-T6	ZERO INTERNATIONAL
5	T-8	2" X 4.5" 6063-T6 CLASS 1 ANODIZED ALUM. FRAME	ALUM. 6063-T6	SPECIAL-LITE, INC.
6	DS-33	DOOR STOP	ALUM. 6063-T6	SPECIAL-LITE, INC.
7	54-W1	HINGE STILE	ALUM. 6063-T6	SPECIAL-LITE, INC.
8	54-W9	LOCK STILE	ALUM. 6063-T6	SPECIAL-LITE, INC.
9	142	RAIN DRIP	ALUM. 6063-T6	ZERO INTERNATIONAL ATTACHED W/ #8 X 5/8" SMS
10	328	SURFACE APPLIED DOOR SEAL	ALUM. 6063-T6 & NEOPRENE	ZERO INTERNATIONAL, ATTACHED W/ #6 X 1/2" SMS
11	383	SURFACE MOUNTED MEETING STILE	ALUM. 6063-T6 & NEOPRENE	ZERO INTERNATIONAL
12	54-800	1" BITE GLASS ADAPTER	ALUM. 6063-T6	SPECIAL-LITE, INC.
13	39	SURFACE APPLIED DOOR SWEEP	ALUM. 6063-T6 & NEOPRENE	ZERO INTERNATIONAL, ATTACHED W/ #6 X 1/2" SMS
14	123NA	INTERLOCKING WATER SHED	ALUM. 6063-T6	NATIONAL GUARD, ATTACHED W/ #6 X 3/4" SMS
15	124A	INTERLOCKING WATER SHED	ALUM. 6063-T6	NATIONAL GUARD, ATTACHED W/ #6 X 3/4" SMS
16	54-801	1" GLASS SNAP STOP	ALUM. 6063-T6	SPECIAL-LITE, INC.
17	141	RAIN DRIP	ALUM. 6063-T6	ZERO INTERNATIONAL, ATTACHED W/ #8 X 5/8" SMS
18	1840	INTERIOR ASTRAGAL WITH NEOPRENE	ALUM. 6063-T6 & NEOPRENE	ZERO INTERNATIONAL
19	54-802	5/16" GLASS SNAP STOP	ALUM. 6063-T6	SPECIAL-LITE, INC.
20	G5-802	5/16" APPLIED GLASS STOP	ALUM. 6063-T6	SPECIAL-LITE, INC.
21	G5-800	1" APPLIED GLASS STOP	ALUM. 6063-T6	SPECIAL-LITE, INC.
22	54-PA	MID-PANEL ADAPTOR	ALUM. 6063-T5	SPECIAL-LITE, INC.
23	54-GA	MID-PANEL GLASS ADAPTOR	ALUM. 6063-T5	SPECIAL-LITE, INC.
24	SC-12	8-15 x 5/8" PHILLIPS PAN HEAD ZINC @ 8-3/4" O.C.	STEEL	-
25	SC-15	#8 x 1-3/8" PHILLIPS OH SMS	STEEL	-
26	SC-23	10-16 x 3/4" PHILLIPS U/C FLAT HEAD CLR	STEEL	-
27	SC-25	10-16 x 3/4" PHILLIPS TRUSS HEAD CLR	STEEL	-
28	SC-26	12-24 x 1/2" PHILLIPS U/C FLAT HEAD CLR	STEEL	-
29	SC-28	12-24 x 1" PHILLIPS FLAT HEAD CLR	STEEL	-
30	SC-83	8-18 x 3/4" PHILLIPS #6 TRIM FLAT HEAD CLR @ 8-3/4" O.C.	STEEL	-
31	DC995	DOW CORNING 995 SILICONE SEALANT	SILICONE	DOW CORNING
32	-	3/16" x 3/8" FOAM GLAZING TAPE	FOAM	NORSEAL
33	-	1/4" SETTING BLOCK	EPDM RUBBER	GLAZING RUBBER PRODUCTS
34	-	1/8" SETTING BLOCK	EPDM RUBBER	ZATKOFF SEALS AND PACKING
35	-	SPACER	ALUM.	ALL METAL
36	8634-5771-1	SCHLEGEL SYSTEMS WEATHER STRIP	POLYPROPYLENE & WOVEN PILE	SCHLEGEL SYSTEMS
37	-	URETHANE FOAM (POURED IN PLACE)	URETHANE FOAM	SPECIAL-LITE, INC.
38	-	0.120" FRP SKIN	FRP	CRANE COMPOSITES
39	-	3/8"-16 STEEL TIE ROD W/ WASHER AND NUT	STEEL	-

REVISIONS	NO.	DATE	DESCRIPTION
	R3	08.11.23	2023 FBC

MCY ENGINEERING, INC.
GLAZING CONSULTANTS

12781 MIRAMAR PARKWAY #301
MIRAMAR, FL 33027 P: 305.271.0117
www.MCYEngineering.com mcy@mcyengineering.com



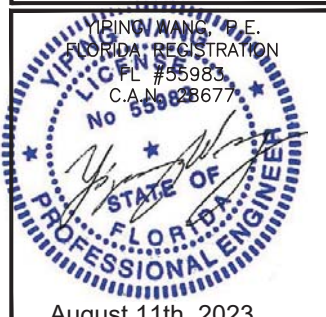
SERIES 15 ALUMINUM OUTSWING GLASS DOORS - LMI & SMI

SPECIAL-LITE, INC.
860 SOUTH WILLIAMS STREET
P.O. BOX 6
DECATUR, MI 49045
WWW.SPECIAL-LITE.COM



Special-Lite
Doors with more life.

FLORIDA APPROVAL:
FL#21856.1



YIPING WANG, P.E.
FLORIDA REGISTRATION
FL #55983
C.A.N. 28677

BOM	
DATE	08.11.2023
SCALE	AS SHOWN
DRAWN	James
PROJECT	17-004

DRAWING NO.
AD17-03

August 11th, 2023

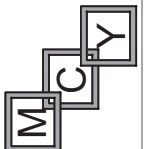
BILL OF MATERIALS (CONT.)

ITEM	PART	DESCRIPTION	MATERIAL	MANUFACTURER / REMARKS
40	9954	DORMA MORTISE LOCK AND DEADBOLT	STEEL	DORMA
41	9400	DORMA 9400 SVR	STEEL	DORMA
42	SB360	IVES SURFACE BOLTS, 6" FROM ENDS	STEEL	IVES, ATTACHED WITH (1) X" X 1/2" X 7/8" HIGH ALUM. PLATE AND (2) 1/4-20 X 3" FH M5
43	BB5	DESIGN HARDWARE BALL BEARING HINGE	STEEL	DESIGN HARDWARE, ATTACHED TO PANEL AND FRAME W/ (4) 1/2-24 X 1/2" FH M5
44	AI10HD	SELECT PRODUCTS CONTINUOUS HINGE	ALUM. 6063-T6	SELECT PRODUCTS, ATTACHED W/
45	-	FLUSH MOUNT METALLIC STRIKE PLATE, 40-3/4" FROM BOTTOM	STEEL	ATTACHED W/ (2) 1/2-24 X 1/2" FH M5
46	HD1825	ABH SURFACE BOLTS	STAINLESS STEEL	ABH
47	PT-131	FRAME CORNER CLIP	ALUM. 6061-T6	SPECIAL-LITE, INC.
48	PT-404	CORNER WASHER	ALUM. 6061-T6	SPECIAL-LITE, INC.
49	508	1" X 1/4" X 8-1/2" LG. ALUM. PLATE HINGE REINF.	ALUM. 6061-T6	ATTACHED W/ (4) 10 X 3/4" FH SMS
50	PT-8001	1-1/4" X 1/2" X 12" LG. ALUM. BAR REINF.	ALUM. 6061-T6	INSIDE FRAME HEAD DOOR STOP @ 12" # 91" FROM LEFT
51	PT-8002	1-1/4" X 1/2" X 12" LG. ALUM. BAR REINF.	ALUM. 6061-T6	INSIDE FRAME HEAD DOOR STOP @ 41" # 61 1/2" FROM LEFT
52	PT-8003	1" X 0.855" X 16" LG. ALUM. BAR REINF.	ALUM. 6061-T6	INSIDE THRESHOLD LOCATED @ 41" FROM LEFT
53	514	EXTRUDED ALUM. REINF.	ALUM. 6061-T6	INSIDE ACTIVE PANEL ABOVE # BELOW THE LOCK
54	519	EXTRUDED ALUM. REINF.	ALUM. 6061-T6	INSIDE THE ACTIVE PANEL ABOVE # BELOW THE STRIKE PLATE
55	W164	GLAZING GASKET	EPDM RUBBER	TOTAL PLASTICS
56	ZSP2110-002	RUBBER GASKET	EPDM RUBBER	TOTAL PLASTICS
57	-	NEOPRENE GASKET	NEOPRENE	ZERO INTERNATIONAL

NO.	DATE	DESCRIPTION
R3	08.11.23	2023_FBC

MCY ENGINEERING, INC.
GLAZING CONSULTANTS

12781 MIRAMAR PARKWAY #301
MIRAMAR, FL 33027 P: 305.271.0117
www.MCYEngineering.com mcy@mcyengineering.com



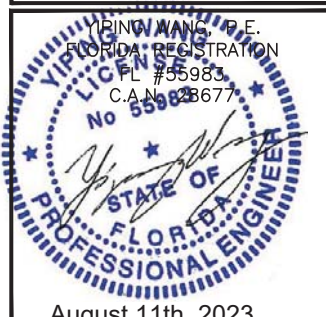
SERIES 15 ALUMINUM OUTSWING GLASS DOORS - LMI & SMI

SPECIAL-LITE, INC.
860 SOUTH WILLIAMS STREET
P.O. BOX 6
DECATUR, MI 49045
WWW.SPECIAL-LITE.COM



FLORIDA APPROVAL:
FL#21856.1

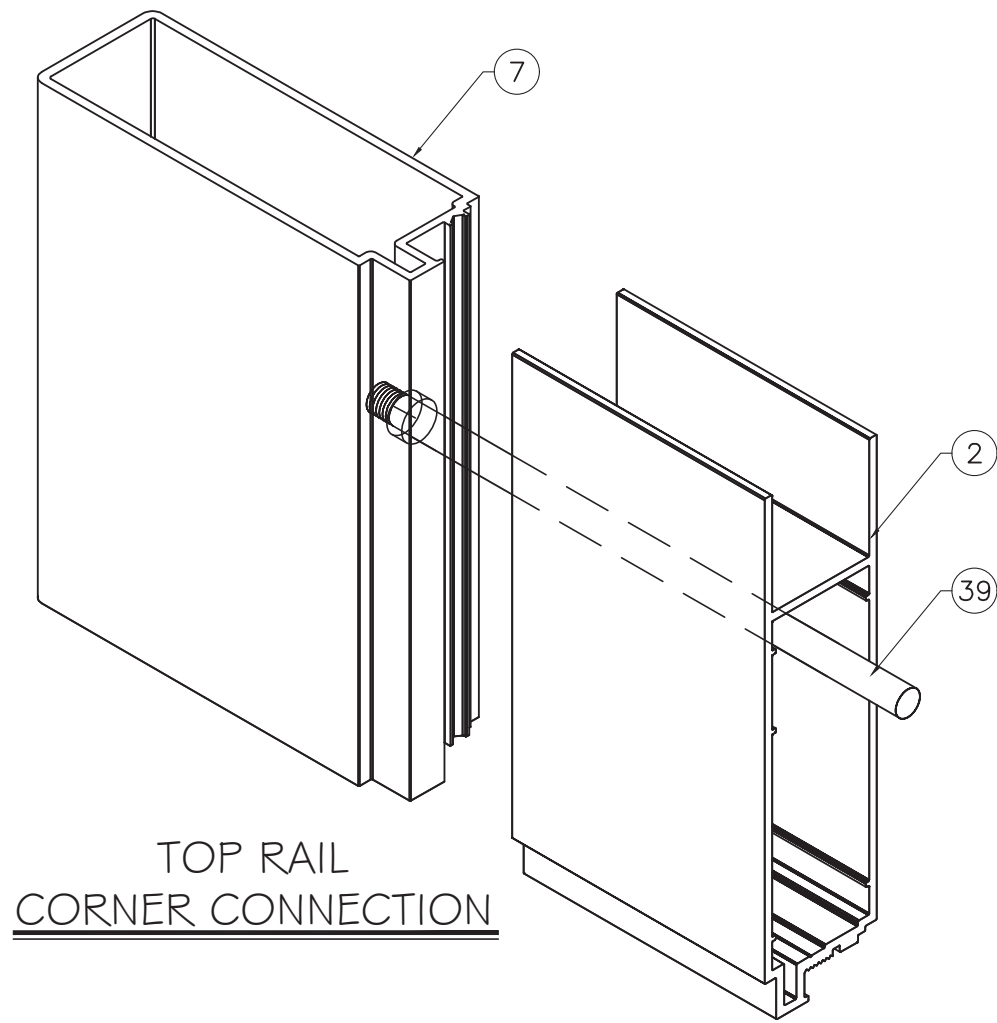
YIPING WANG, P.E.
FLORIDA REGISTRATION
FL #55983
C.A.N. #28677



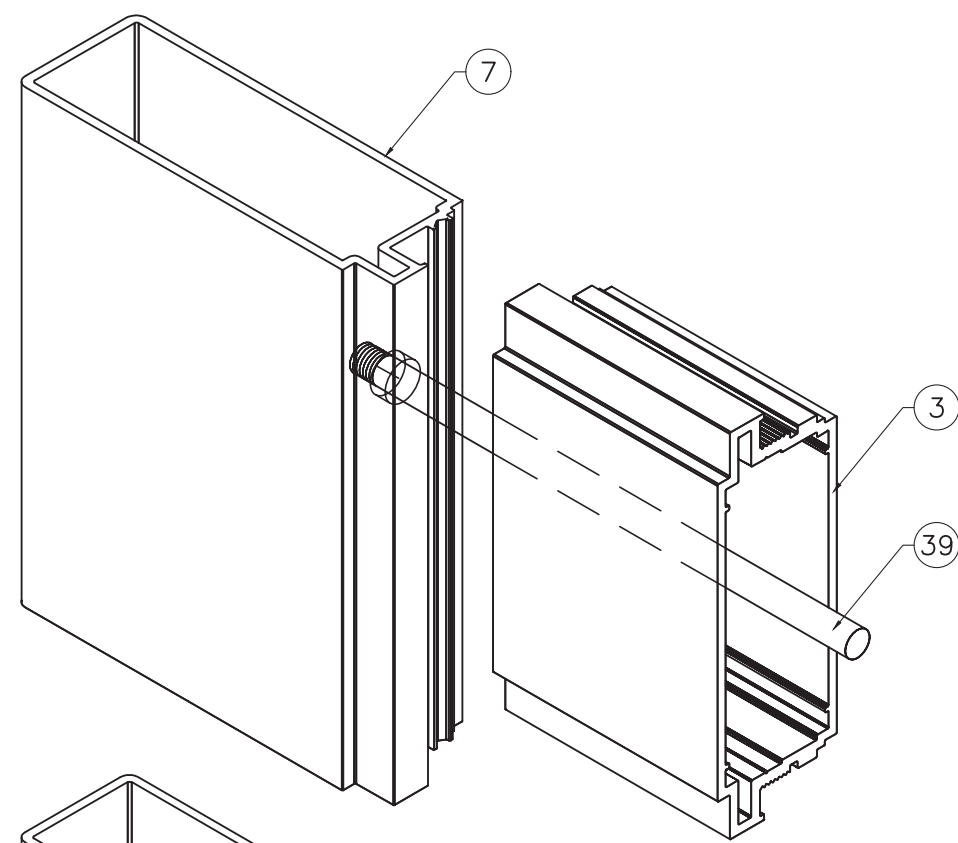
August 11th, 2023

BOM	
DATE	08.11.2023
SCALE	AS SHOWN
DRAWN	James
PROJECT	17-004

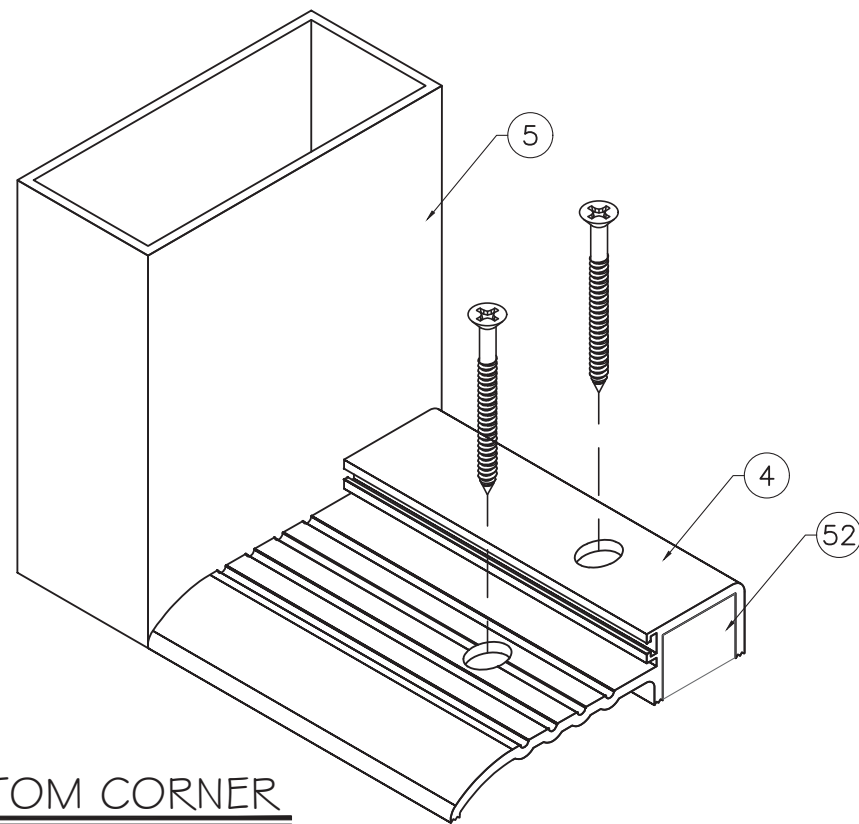
DRAWING NO.
AD17-03



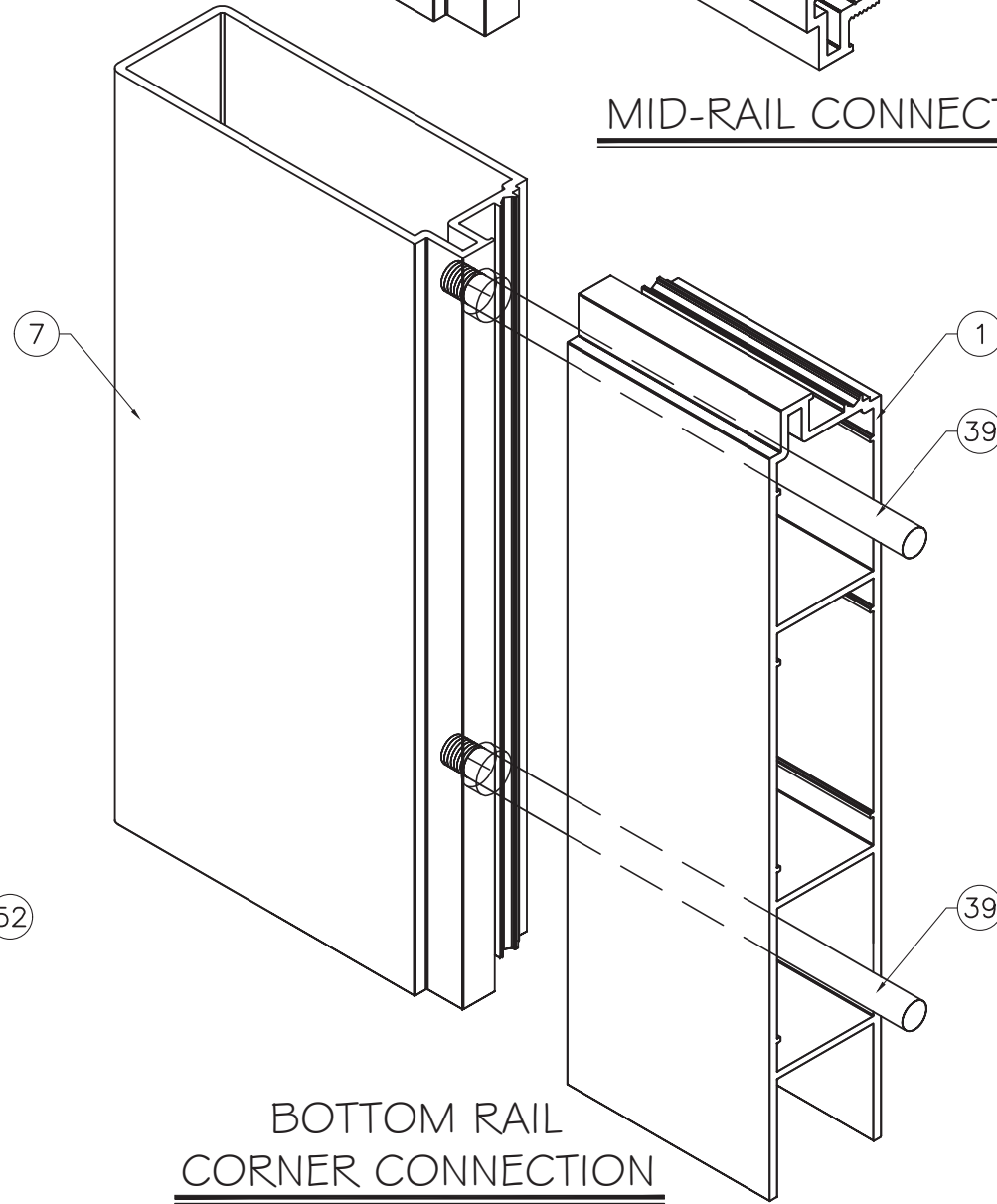
TOP RAIL
CORNER CONNECTION



MID-RAIL CONNECTION



FRAME BOTTOM CORNER



BOTTOM RAIL
CORNER CONNECTION

FLORIDA APPROVAL:
FL#21856.1

YIPING WANG, P.E.
FLORIDA REGISTRATION
FL #55983
C.A. No. 28677

August 11th, 2023

NO.	DATE	DESCRIPTION
R3	08.11.23	2023_FBC

MCY ENGINEERING, INC.
GLAZING CONSULTANTS
12781 MIRAMAR PARKWAY #301
MIRAMAR, FL 33027 P: 305.271.0117
www.MCYEngineering.com mcy@mcyengineering.com

SERIES 15 ALUMINUM OUTSWING GLASS DOORS - LMI & SMI
SPECIAL-LITE, INC.
860 SOUTH WILLIAMS STREET
P. O. BOX 6
DECATUR, MI 49045
WWW.SPECIAL-LITE.COM



PARTS	
DATE	08.11.2023
SCALE	AS SHOWN
DRAWN	James
PROJECT	17-004

DRAWING NO.
AD17-03